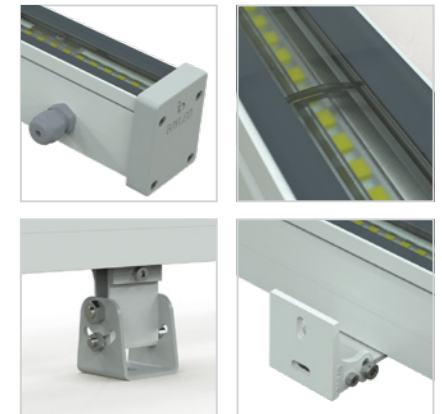
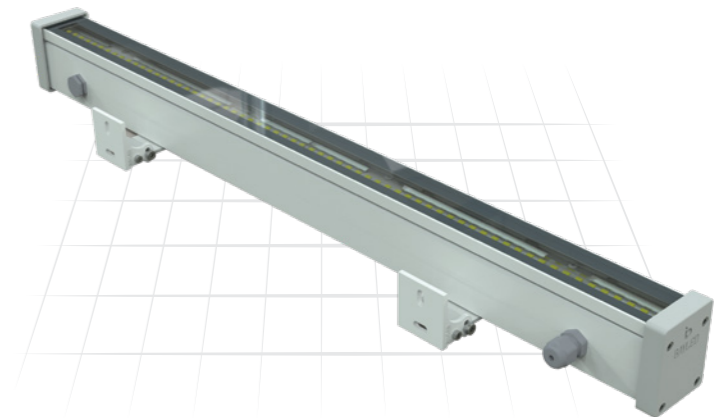
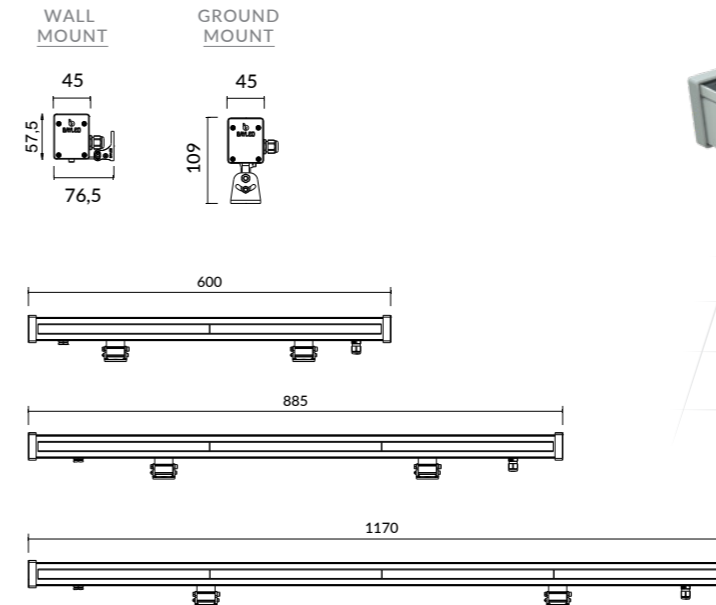


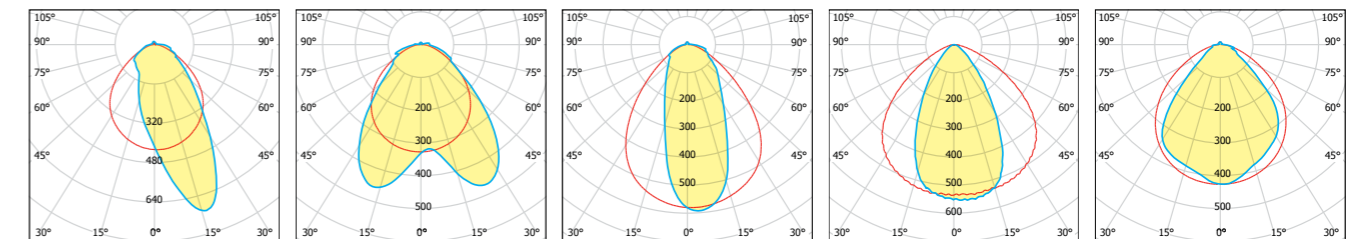


ARSEN AC

EN 60598 | IP66 | CE



Photometric Curves



Purchase Order Table

CODE	MODULE POWER	LUMINAIRE POWER	MODULE LUMINOUS FLUX	LUMINAIRE LUMINOUS FLUX	COLOR TEMPERATURE
01-07-60-15-XX-X	15W	16W	2637lm-2801lm	2426lm-2577lm	3000K - 4000K
01-07-60-22-XX-X	22W	24W	3582lm-3802lm	3295lm-3498lm	3000K - 4000K
01-07-90-22-XX-X	22W	24W	3755lm-3988lm	3455lm-3669lm	3000K - 4000K
01-07-90-31-XX-X	31W	34W	5076lm-5388lm	4670lm-4957lm	3000K - 4000K
01-07-120-31-XX-X	31W	34W	5275lm-5602lm	4853lm-5154lm	3000K - 4000K
01-07-120-47-XX-X	47W	50W	7456lm-7913lm	6859lm-7280lm	3000K - 4000K

XX : Lens Angle, X : Led Color
Standard colour temperature 4000K, also available with 6500K on request.

Technical Specifications

Wallwasher made of aluminium extrusion,	DALI controllable (optional)
Clear 5mm safety glass	0-10V / 1-10V controllable (optional)
Silicon rubber gasket	Safety class I
Swivel range 30°	Protection class IP66
Mounting bracket made of plastic.	Operation temperature -25°C / +55°C
Lens angle 18°- 25°- 30°x90°- 60°x110°- 90°x110°	Wind catching area: 0,03m²
Colour standard mat anodized,	Weight: 60cm: 1,2kg / 88,5cm: 1,7kg / 117cm: 2,2kg
Input 110 -240V AC 50 / 60 Hz	Complies with European standards
Power factor > 90% full load	EN 60598 and CE certificate
Mono Colour (Standard)	

CCT tolerance within a 3 step MacAdams ellipse and LM80 compliant

Lifetime 50.000 working hours at least



For updated information about product lighting specifications please visit: www.bayled.eu

