

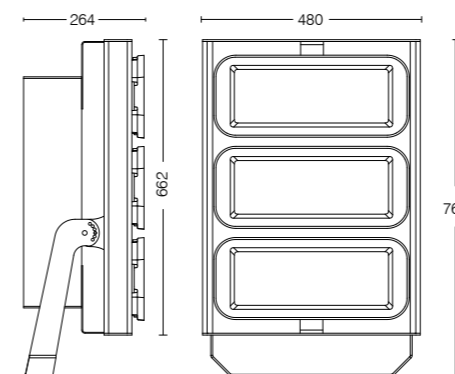
Purchase Order Table

CODE	MODULE POWER	LUMINAIRE POWER
45-19-155-144-XX-RGB	155W	170W
45-19-255-144-XX-RGB	255W	280W

XX : Lens Angle

TETRA PRL-3 RGB Look at page 259 for connection diagram.

EN 60598 | IK09 | IP66 | CE



DMX 512

Interface : Data Enabler (DMX/Bayled)
 Address method : Digital
 Fixture Connections : Male/female XLR

FIXTURE RUN LENGHTS

To calculate fixture run lenghts and total power consumption for your specific installation, please ask to company assistant.

FEATURES

Color-changing and high-quality white light from the same fixture. Tetra is an advanced approach to color mixing that enables high-quality intelligent color. Multiple channels of LED lightsources combine to produce a full spectrum of precisely controllable light, including millions of saturated colors, pastels and uniform white light with CRI of greater than 85 in 2700K-4000K range.

Technical Specifications

Floodlight made of aluminium die cast	RGB PWM signal with RC (Optional)
Galvanized steel fittings	DMX 512 (Standard)
Clear 5mm safety glass	Safety Class I
Silicon rubber gasket	Protection class IP66
Swivel range 100°	Impact strenght IK09
Mounting bracket made of steel with Electrostatic powder coating	Operation temperature -25°C / +55°C
Lens angle 8°-15°-30°-60°-90°	Wind catching area: 0,24m²
Colour standard MT-X6-23, optional RAL codes	Weight: 23,3 kg
Input 100 - 305V AC 50 / 60 Hz	EULUMDAT files available
Power factor > 90% full load	Complies with European standards
	EN 60598 and CE certificate

Lifetime 50.000 working hours at least



For updated information about product lighting specifications please visit: www.bayled.eu

