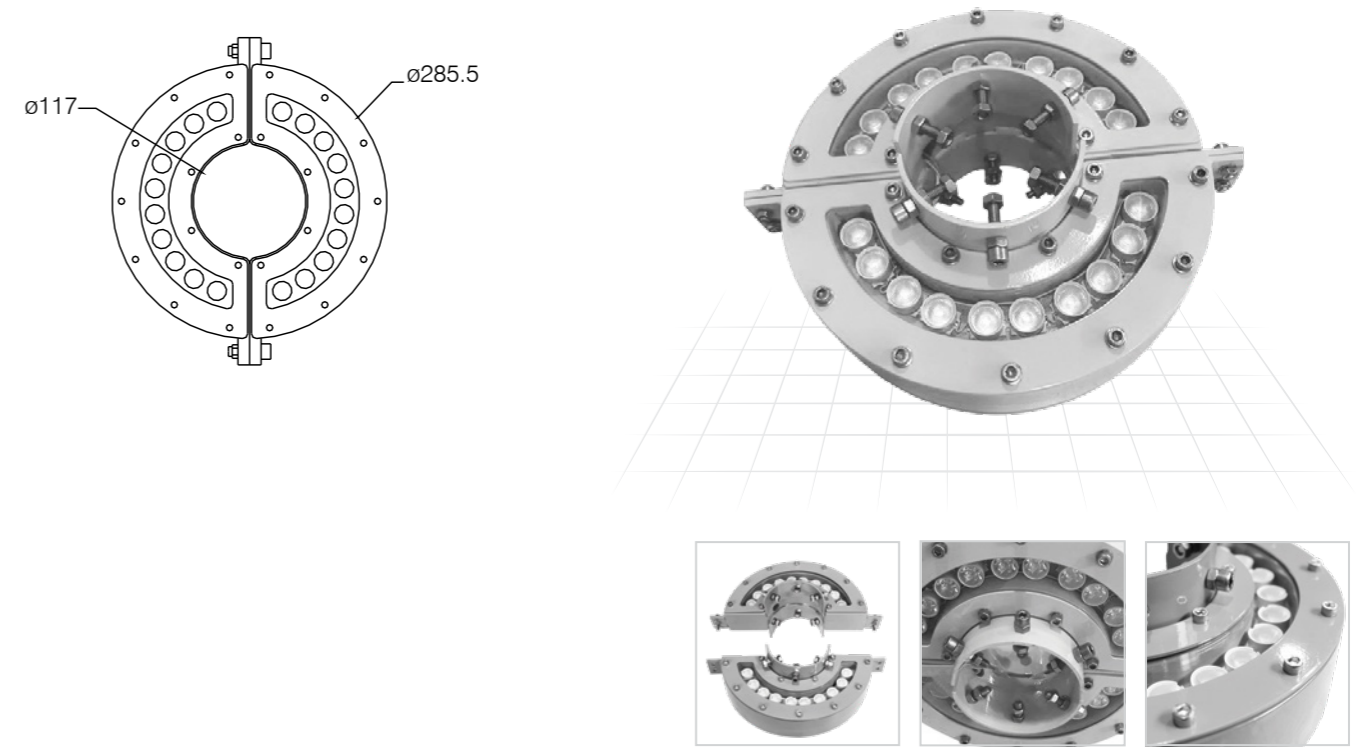


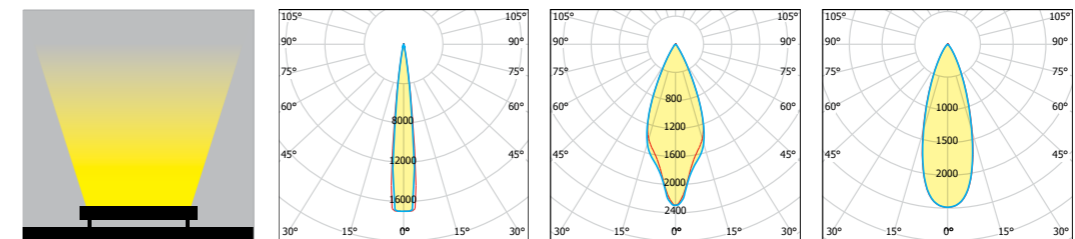


# MINARET

EN 60598 | IP65 | CE



## Photometric Curves



## Purchase Order Table

CODE	MODULE POWER	LUMINAIRE POWER	MODULE LUMINOUS FLUX	LUMINAIRE LUMINOUS FLUX	COLOR TEMPERATURE
01-05-50-40-XX-X	50W	60W	7000lm - 7516lm	6579lm - 7065lm	3000K-4000K

XX : Lens Angle, X : Led Color  
Standard colour temperature 4000K, also available with 6500K on request.

## Technical Specifications

Wallwasher made of aluminium die cast	0-10V / 1-10V controllable (optional)
Clear pleksi glass	Safety class I
Silicon rubber gasket	Protection class IP65
Mounting bracket made of plastic.	Operation temperature -25°C / +55°C
Lens angle 8°-25°- 40°	Wind catching area: 0,03m <sup>2</sup>
Colour standard MT-X6-23, optional RAL codes.	Weight: 7,3kg
Input 110 – 240V AC 50 / 60 Hz	EULUMDAT files available
Power factor > 90% full load	Complies with European standards
Mono Colour (Standard), Amber (Optional), Green (Optional)	EN 60598 and CE certificate
DALI controllable (optional)	

CCT tolerance within a 3 step MacAdams ellipse and LM80 compliant

Lifetime 50.000 working hours at least



For updated information about product lighting specifications please visit: [www.bayled.eu](http://www.bayled.eu)