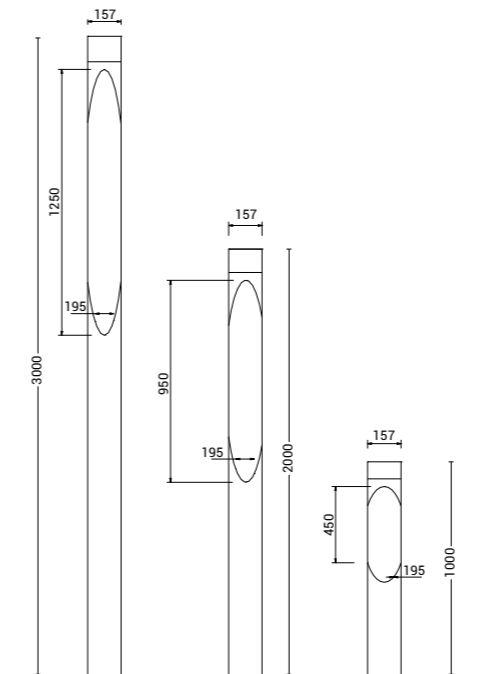


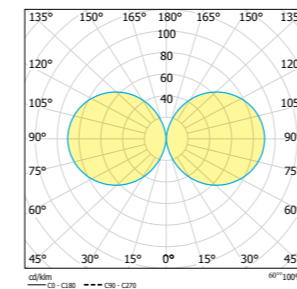


# REED

EN 60598 | IK08 | IP66 | CE



### Photometric Curves



### Purchase Order Table

CODE	MODULE POWER	LUMINAIRE POWER	LUMINAIRE LUMINOUS FLUX	COLOR TEMPERATURE
60-66-30-X	30W	30W	2520lm - 2760lm	3000K-4000K
60-66-40-X	40W	40W	4000lm - 4320lm	3000K-4000K

X : Led Color

### Technical Specifications

Luminaire Dimensions Ø157mm	Impact Resistance IK08
Total Height 3m-1m	LED Driver 350mA-700mA
Body Pole Aluminium-Standard	Cable 3*1,5TTR Non-flammable cable
All RAL Codes or Special architectural paints	Operating Temperature -20°C +55°C
Diffuser Plexi glass	Colour Temperature 3000K / 4000K
Insulation Class II	CRI 3000K>80 / 4000K>70
Mounting Detail Anchor System	

CCT tolerance within a 3 step MacAdams ellipse and LM80 compliant

Lifetime 50.000 working hours at least



For updated information about product lighting specifications please visit: [www.bayled.eu](http://www.bayled.eu)

