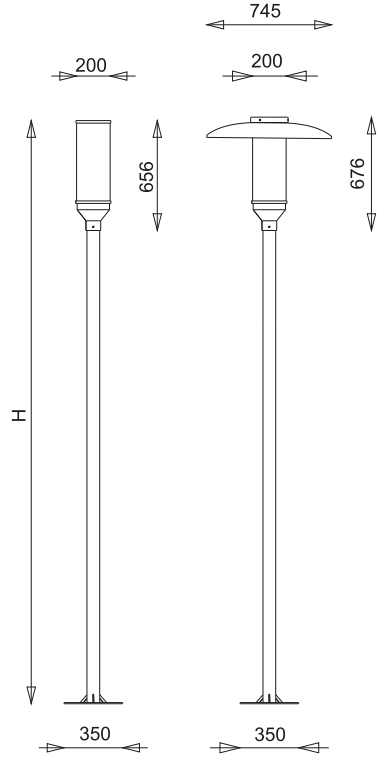


# APEX LINEAR 60 W



## URBAN LIGHTING LUMINAIRES

IP66 IK10 EN60598 CE



Power	Total Height (H)
40W / 60W / 80W	3500mm
40W / 60W / 80W	4500mm
60W / 80W	5500mm

## PRODUCT DATA

### General Information

Number of light source	80 pcs
LED module	High Power LED's on alu-PCB
Light distribution	ASYM
Light source colour	3000K-4000K
Number of gear unit	-
Driver / power unit	PS (Constant current)
Driver included	Yes
Optical cover / lens type	-
Control interface	On/Off
Connection	-
Cable	3x0,75 mm <sup>2</sup>
Protection class IEC	Safety class I
CE mark	CE mark
ENEC mark	-
Warranty period	5 years
Optic type	Asymmetric
EU RoHS compliant	Yes
Light source engine type	LED
LDT / IES photometric file	Available
Life span	Estimated average 50.000 hours
MacAdams	CCT tolerance within a 3 step MacAdams ellipse
Product code	60-74-024-60-80-XX-0-X (X: Led colour , XX: Pole height)

### Operating and Electrical

Input Voltage	100-305 V AC
Input frequency	50 to 60 Hz
Inrush current	272 mA
Power factor (min.)	0.92

### Control and Dimming

Dimmable(optional)	DALI , 1-10V
DMX	-

### Mechanical and Housing

Housing material	Aluminium extrusion & die cast
Gasket	Silicone
Optic material	-
Optical cover / lens material	Plexiglass (3mm)
Fixation material	Stainless steel
Mounting device	-
Effective projected area	0,48m <sup>2</sup> , 0,64m <sup>2</sup> , 0,72m <sup>2</sup> , 0,88m <sup>2</sup>
Colour	Grey
Dimensions (height x width x depth)	3000, 4000, 4500, 5500 x 160mm

### Approval and Application

Ingress protection code	IP66
Mech. impact protection code	IK10
Surge protection (common/differential)	6KV / 4KV

### Initial Performance (IEC Compliant)

Module luminous flux	9442 lm (4000K) / 8796 lm (3000K)
Luminaire luminous flux	8584 lm (4000K) / 7996 lm (3000K)
LED luminaire efficiency	143 lm (4000K) / 133 lm (3000K)
Colour Temperature	4000K / 3000K
	6500K also available up on request.
Colour rendering index	≥70
Rated LED power	55 W
Rated luminaire power	60 W

### Application Conditions

Ambient temperature range	-25°C to +55°C
Maximum dimming level	-
Net weight (piece)	Variable

### Fixture Run Length

To calculate fixture run lengths and total power consumption for your specific installation, please ask to company assistant

### BAYLED TEKNOLOJİ A.Ş.

Ahi Evran Mah. 225. Cad. No:84 06935, Sincan ANKARA / TURKEY  
T: +90 312 395 76 35 | F: +90 312 395 73 65 | sales@bayled.com.tr

Bayled is a Baytaş group brand.

Scan the QR Code to go to the product web page.



We reserve the right to change specifications without prior written notice.

Current version under: [www.bayled.eu](http://www.bayled.eu)