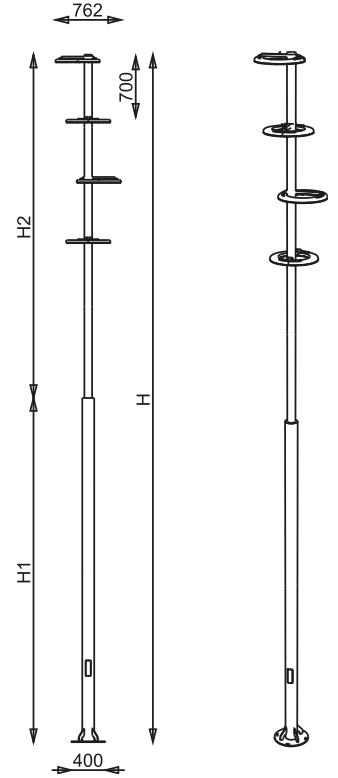


# ATLAS QUADRA (4 MODULE) 280W



URBAN LIGHTING LUMINAIRES

IP66 IK10 EN60598 CE



Total Height (H)	H1 / H2
8000mm	4000mm / 4000mm
9000mm	4000mm / 5000mm
10000mm	4000mm / 6000mm

## PRODUCT DATA

### General Information

Number of light source	160 pcs
LED module	High Power LED's on alu-PCB
Light distribution	ASYM
Light source colour	3000K-4000K
Number of gear unit	-
Driver / power unit	PS (Constant current)
Driver included	Yes
Optical cover / lens type	Single lens
Control interface	On/Off
Connection	-
Cable	3x0,75 mm <sup>2</sup>
Protection class IEC	Safety class I
CE mark	CE mark
ENEC mark	-
Warranty period	5 years
Optic type	Asymmetric
EU RoHS compliant	Yes
Light source engine type	LED
LDT / IES photometric file	Available
Life span	Estimated average 50.000 hours
MacAdams	CCT tolerance within a 3 step MacAdams ellipse
Product code	60-74-028-280-160-XX-0-X (X: Led colour , XX: Pole height)

### Operating and Electrical

Input Voltage	100-305 V AC
Input frequency	50 to 60 Hz
Inrush current	127 mA
Power factor (min.)	0.92

### Control and Dimming

Dimmable(optional)	DALI, 1-10V
DMX	-

### Mechanical and Housing

Housing material	Aluminium die cast
Gasket	Silicone
Optic material	PMMA
Optical cover / lens material	Plexiglass (5mm)
Fixation material	Stainless steel
Mounting device	-
Effective projected area	6,1m <sup>2</sup> - 6,8m <sup>2</sup> - 7,6m <sup>2</sup>
Colour	Grey
Dimensions (height x width x depth)	8000, 9000, 10000 x 762mm

### Approval and Application

Ingress protection code	IP66
Mech. impact protection code	IK10
Surge protection (common/differential)	6KV / 4KV

### Initial Performance (IEC Compliant)

Module luminous flux	38542 lm (4000K) / 35902 lm (3000K)
Luminaire luminous flux	35038 lm (4000K) / 32638 lm (3000K)
LED luminaire efficiency	125 lm (4000K) / 116 lm (3000K)
Colour Temperature	4000K / 3000K
	6500K also available up on request.
Colour rendering index	≥70
Rated LED power	255 W
Rated luminare power	280 W

### Application Conditions

Ambient temperature range	-25°C to +55°C
Maximum dimming level	-
Net weight (piece)	Variable

**Fixture Run Length** To calculate fixture run lengths and total power consumption for your specific installation, please ask to company assistant

#### BAYLED TEKNOLOJİ A.Ş.

Ahi Evran Mah. 225. Cad. No:84 06935, Sincan ANKARA / TURKEY  
T: +90 312 395 76 35 | F: +90 312 395 73 65 | sales@bayled.com.tr

Bayled is a Baytaş group brand.

Scan the QR Code to go to the product web page.



We reserve the right to change specifications without prior written notice.

Current version under: [www.bayled.eu](http://www.bayled.eu)