

ROOM 120W



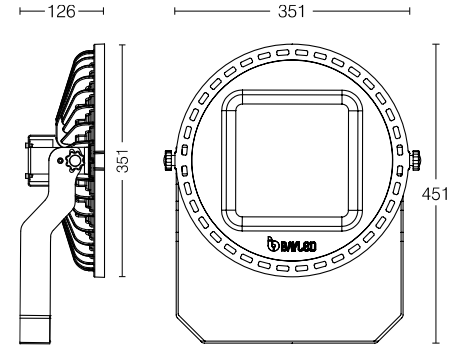
FLOODLIGHT

IP66

IK09



EN60598 CE



PRODUCT DATA

General Information

| | |
|----------------------------|--|
| Number of light source | 108 pcs |
| LED module | Mid Power LED's on alu-PCB |
| Light distribution | 40°-60°-90°-ASYM |
| Light source colour | 3000K-4000K |
| Number of gear unit | 1 unit |
| Driver / power unit | PS (Constant current) |
| Driver included | Yes |
| Optical cover / lens type | Multi lens |
| Control interface | On/Off |
| Connection | - |
| Cable | 3x1 mm ² |
| Protection class IEC | Safety class I |
| CE mark | CE mark |
| ENEC mark | - |
| Warranty period | 5 years |
| Optic type | Symmetric - Asymmetric |
| EU RoHS compliant | Yes |
| Light source engine type | LED |
| LDT / IES photometric file | Available |
| Life span | Estimated average 50.000 hours |
| MacAdams | CCT tolerance within a 3 step MacAdams ellipse |
| Product code | 45-17-120-108-XX-X (XX: Lens angle, X: Led colour) |

Operating and Electrical

| | |
|---------------------|--------------|
| Input Voltage | 100-305 V AC |
| Input frequency | 50 to 60 Hz |
| Inrush current | 546 mA |
| Power factor (min.) | 0.92 |

Control and Dimming

| | |
|--------------------|--------------|
| Dimmable(optional) | 1-10V - DALI |
| DMX | - |

Mechanical and Housing

| | |
|-------------------------------------|--------------------|
| Housing material | Aluminium die-cast |
| Gasket | Silicone |
| Optic material | PMMA |
| Optical cover / lens material | Glass (5mm) |
| Fixation material | Stainless steel |
| Mounting device | - |
| Effective projected area | 0,16m ² |
| Colour | Grey |
| Dimensions (height x width x depth) | 451 x 351 x 126 mm |

Approval and Application

| | |
|--|------------------------------|
| Ingress protection code | IP66 |
| Mech. impact protection code | IK09 |
| Surge protection (common/differential) | 6 KV/4KV (10KV/6KV optional) |

Initial Performance (IEC Compliant)

| | |
|--------------------------|-------------------------------------|
| Module luminous flux | 17400 lm (4000K) / 16800 lm (3000K) |
| Luminaire luminous flux | 16262 lm (4000K) / 15454 lm (3000K) |
| LED luminaire efficiency | 136 lm (4000K) / 129 lm (3000K) |
| Colour Temperature | 4000K / 3000K |
| | 6500K also available up on request. |
| Colour rendering index | ≥70 |
| Rated LED power | 110W |
| Rated luminaire power | 120W |

Application Conditions

| | |
|---------------------------|----------------|
| Ambient temperature range | -25°C to +55°C |
| Maximum dimming level | - |
| Net weight (piece) | 7.3 kg |

Fixture Run Length

To calculate fixture run lengths and total power consumption for your specific installation, please ask to company assistant

BAYLED TEKNOLOJİ A.Ş.

Ahi Evran Mah. 225. Cad. No:84 06935, Sincan ANKARA / TURKEY
T: +90 312 395 76 35 | F: +90 312 395 73 65 | sales@bayled.com.tr

Bayled is a Baytaş group brand.

Scan the QR Code to go to the product web page.



We reserve the right to change specifications without prior written notice.

Current version under: www.bayled.eu