



CODE	MODULE POWER	LUMINAIRE POWER	MODULE LUMINOUS FLUX	LUMINAIRE LUMINOUS FLUX	COLOR TEMPERATURE
45-29-30-112-XX-X	27W	30W	4875lm - 5035lm	4388lm - 4532lm	3000K-4000K
45-29-40-112-XX-X	36W	40W	5160lm - 6362lm	5544lm - 5725lm	3000K-4000K
45-29-50-112-XX-X	46W	50W	7366lm - 7607lm	6629lm - 6846lm	3000K-4000K
45-29-60-112-XX-X	55W	60W	8514lm - 8793lm	7663lm - 7914lm	3000K-4000K
45-29-35-112-30-R	32W	35W	1519lm	1367lm	RED
45-29-30-112-30-G	27W	30W	2775lm	2494lm	GREEN
45-29-40-112-30-G	36W	40W	3321lm	2989lm	GREEN
45-29-50-112-30-G	46W	50W	3811lm	3430lm	GREEN
45-29-60-112-30-G	55W	60W	4257lm	3832lm	GREEN
45-29-30-112-30-B	27W	30W	832lm	749lm	BLUE
45-29-40-112-30-B	36W	40W	1056lm	950lm	BLUE
45-29-50-112-30-B	46W	50W	1267lm	1140lm	BLUE

XX : Lens Angle, X : Led Color  
Standard color temperature 4000K, also available with 6500K on request.

USED POWER SUPPLY BRANDS

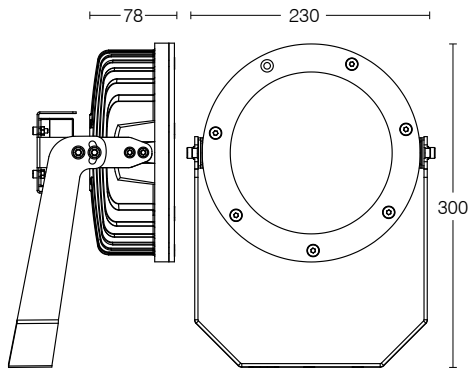


USED LED BRANDS

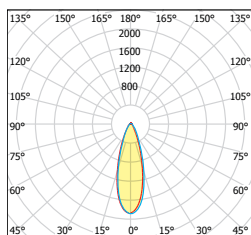


# ROON

EN 60598 | IK07 | IP66 | CE



## Photometric Curves



## Technical Specifications

Floodlight made of aluminium die cast	DALI controllable (Optional)
Galvanized steel fittings	0-10V / 1-10V controllable (Optional)
Clear 5mm safety glass	Safety Class I
Silicon rubber gasket	Protection class IP66
Swivel range 80°	Impact strenght IK07
Mounting bracket made of steel with	Operation temperature -25°C / +55°C
Electrostatic powder coating	Wind catching area: 0,07m²
Lens angle 30°	Weight: 4,3 kg
Color standard MT-X6-23, optional RAL codes	EULUMDAT files available
Input 100 - 305V AC 50 / 60 Hz	Complies with European standards
Power factor (min.) 0.92	EN 60598 and CE certificate
Mono color (Standard)	6kV surge protection (10kV optional)

CCT tolerance within a 3 step MacAdams ellipse and LM80 compliant

Lifetime 50.000 working hours at least



Scan QR Code to get all technical documents and the other updated files for this product.

