



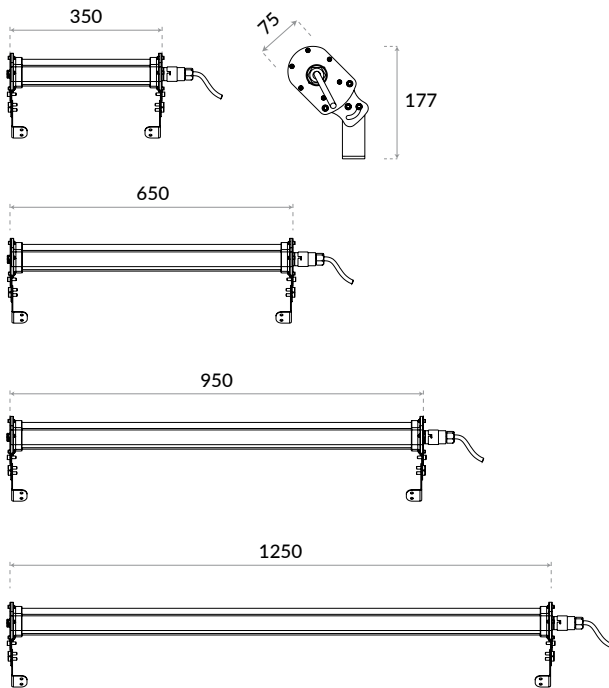
Purchase Order Table

CODE	MODULE POWER	LUMINAIRE POWER	MODULE LUMINOUS FLUX	LUMINAIRE LUMINOUS FLUX	COLOR TEMPERATURE
90-01-35-12-12-XX-X	11W	12W	1725lm-1815lm	1621lm-1706lm	3000K - 4000K
90-01-65-24-24-XX-X	22W	24W	3449lm-3629lm	3242lm-3412lm	3000K - 4000K
90-01-95-36-36-XX-X	33W	36W	5174lm-5444lm	4863lm-5117lm	3000K - 4000K
90-01-125-48-48-XX-X	44W	48W	6898lm-7259lm	6484lm-6824lm	3000K - 4000K

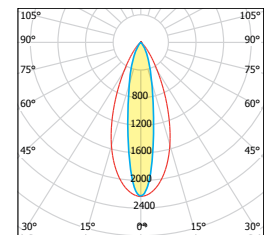
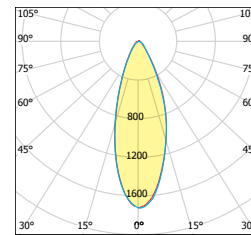
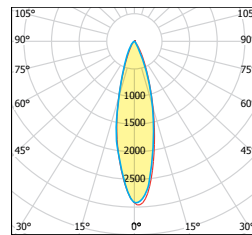
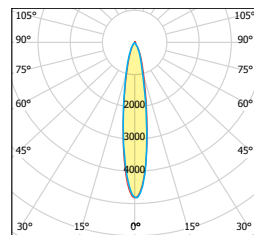
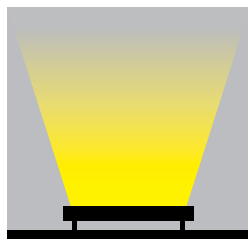
XX : Lens Angle, X : Led Color
Standard color temperature 4000K, also available with 6500K on request.

EXEGI WALL

EN 60598 | IK10 | IP66 | CE



Photometric Curves



Technical Specifications

Polycarbon and Aluminium profile.	0-10V / 1-10V controllable (optional)
Stainless Steel and Polycarbon lids.	Safety class I
Silicon rubber gasket	Protection class IP66
Swivel range 70°(Optional)	Impact strenght IK10
Mounting bracket made of stainless steel.	Operation temperature -25°C / +55°C
Lens angle 17° - 25° - 35° - 20°x45°(asym.)	Wind catching area: 0,14m²
Color standard mat anodized,	Weight: 35cm: 0.8kg / 65cm: 1.39kg / 95cm: 2,03kg/ 125 cm: 2,68kg
Input 198 - 264V AC 50 / 60 Hz	EULUMDAT files available
Power factor (min.) 0.92	Complies with European standards
Mono Color (Standard)	EN 60598 and CE certificate
DALI controllable (optional)	

CCT tolerance within a 3 step MacAdams ellipse and LM80 compliant

Lifetime 50.000 working hours at least



Scan QR Code to get all technical documents and the other updated files for this product.