



RGB CONSTANT VOLTAGE

CODE	MODULE POWER	LUMINAIRE POWER
20-02-12-9-XX-H-RGB	11W	12W
20-02-25-9-XX-H-RGB	23W	25W

RGB ALL IN ONE

CODE	MODULE POWER	LUMINAIRE POWER
20-02-12-9-XX-D-RGB	11W	12W
20-02-25-9-XX-D-RGB	23W	25W

RGBW(A) CONSTANT VOLTAGE

CODE	MODULE POWER	LUMINAIRE POWER
20-02-12-9-XX-H-RGBW(A)	11W	12W
20-02-17-9-XX-H-RGBW(A)	16W	17W

RGBW(A) ALL IN ONE

CODE	MODULE POWER	LUMINAIRE POWER
20-02-12-9-XX-D-RGBW(A)	11W	12W
20-02-25-9-XX-D-RGBW(A)	23W	25W

XX : Lens Angle

USED POWER SUPPLY BRAND

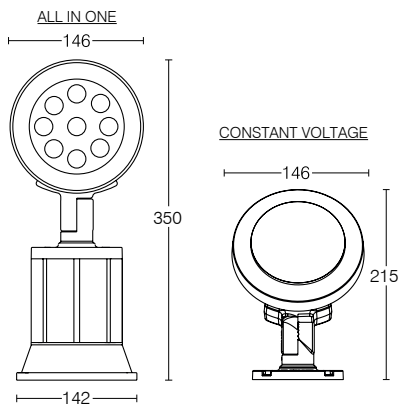


USED LED BRANDS



NERO RGB / RGBW(A)

EN 60598 | IK10 | IP66 | CE



Optional Accessories

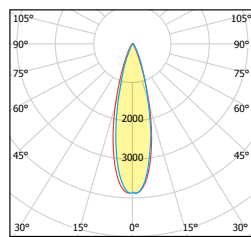
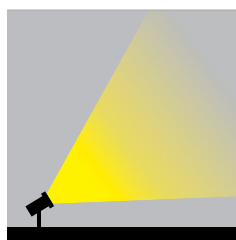


All in One

Constant Voltage



Photometric Curves



Technical Specifications

Floodlight made of aluminium die cast	Power factor (min.) 0.92
Aluminium and stainless steel fittings	DMX 512 / RDM
Clear 3mm polycarbon glass	Safety Class I
Silicon base seal gasket	Protection Class IP66
Mounting bracket made of plastic	Operation temperature -25°C / +55°C
Electrostatic powder coating	Weight: All in One : 1,66 kg , Constant Voltage : 1,25 kg
Lens angle 30°- 50°- 35°x70°	Complies with European standards
Color standard 7040, optional RAL codes	EN 60598 and CE certificate
Input 12 V DC	

CCT tolerance within a 3 step MacAdams ellipse and LM80 compliant

Lifetime 50.000 working hours at least



Scan QR Code to get all technical documents and the other updated files for this product.