

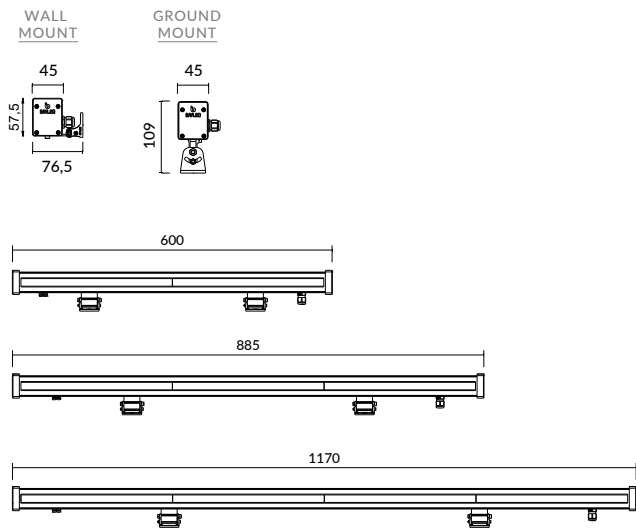
Purchase Order Table

CODE	MODULE POWER	LUMINAIRE POWER	MODULE LUMINOUS FLUX	LUMINAIRE LUMINOUS FLUX	COLOR TEMPERATURE
01-07-60-15-XX-X	14W	15W	2637lm-2801lm	2426lm-2577lm	3000K - 4000K
01-07-60-22-XX-X	20W	22W	3582lm-3802lm	3295lm-3498lm	3000K - 4000K
01-07-90-22-XX-X	20W	22W	3755lm-3988lm	3455lm-3669lm	3000K - 4000K
01-07-90-31-XX-X	28W	31W	5076lm-5388lm	4670lm-4957lm	3000K - 4000K
01-07-120-31-XX-X	28W	31W	5275lm-5602lm	4853lm-5154lm	3000K - 4000K
01-07-120-47-XX-X	43W	47W	7456lm-7913lm	6859lm-7280lm	3000K - 4000K

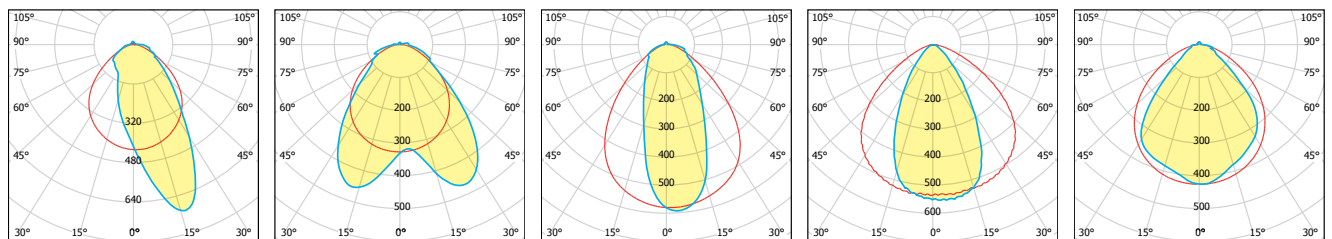
XX : Lens Angle, X : Led Color
 Standard color temperature 4000K, also available with 6500K on request.

ARSEN AC

EN 60598 | IK09 | IP66 | CE



Photometric Curves



Technical Specifications

Wallwasher made of aluminium extrusion,	DALI controllable (optional)
Clear 5mm safety glass	0-10V / 1-10V controllable (optional)
Silicon rubber gasket	Safety class I
Swivel range 30°	Protection class IP66
Mounting bracket made of plastic.	Impact strength IK09
Lens angle 18°- 25°- 30°x90°- 60°x110°- 90°x110°	Operation temperature -25°C / +55°C
Color standard mat anodized,	Wind catching area: 0,03m ²
Input 198 –264V AC 50 / 60 Hz	Weight: 60cm: 1,2kg / 88,5cm: 1,7kg / 117cm: 2,2kg
Power factor (min.) 0.92	Complies with European standards
Mono Color (Standard)	EN 60598 and CE certificate

CCT tolerance within a 3 step MacAdams ellipse and LM80 compliant

Lifetime 50.000 working hours at least



Scan QR Code to get all technical documents and the other updated files for this product.

