



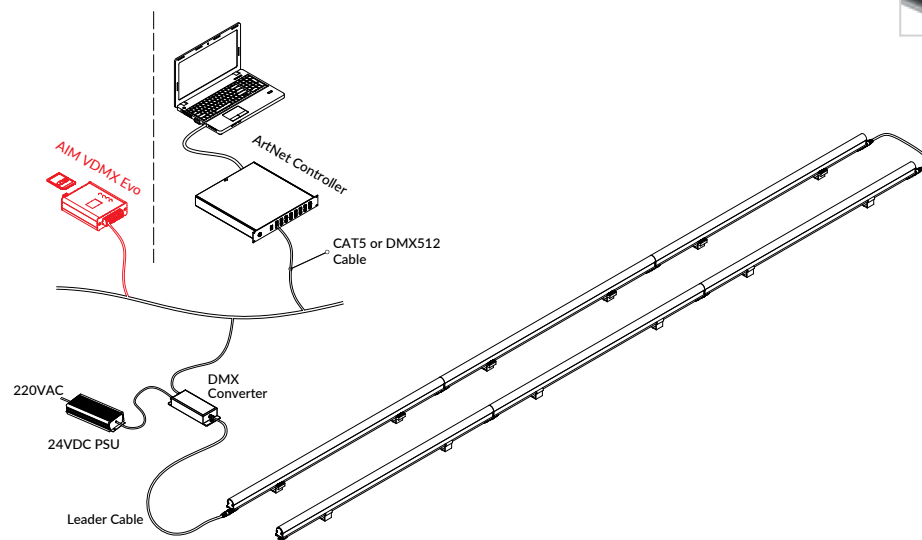
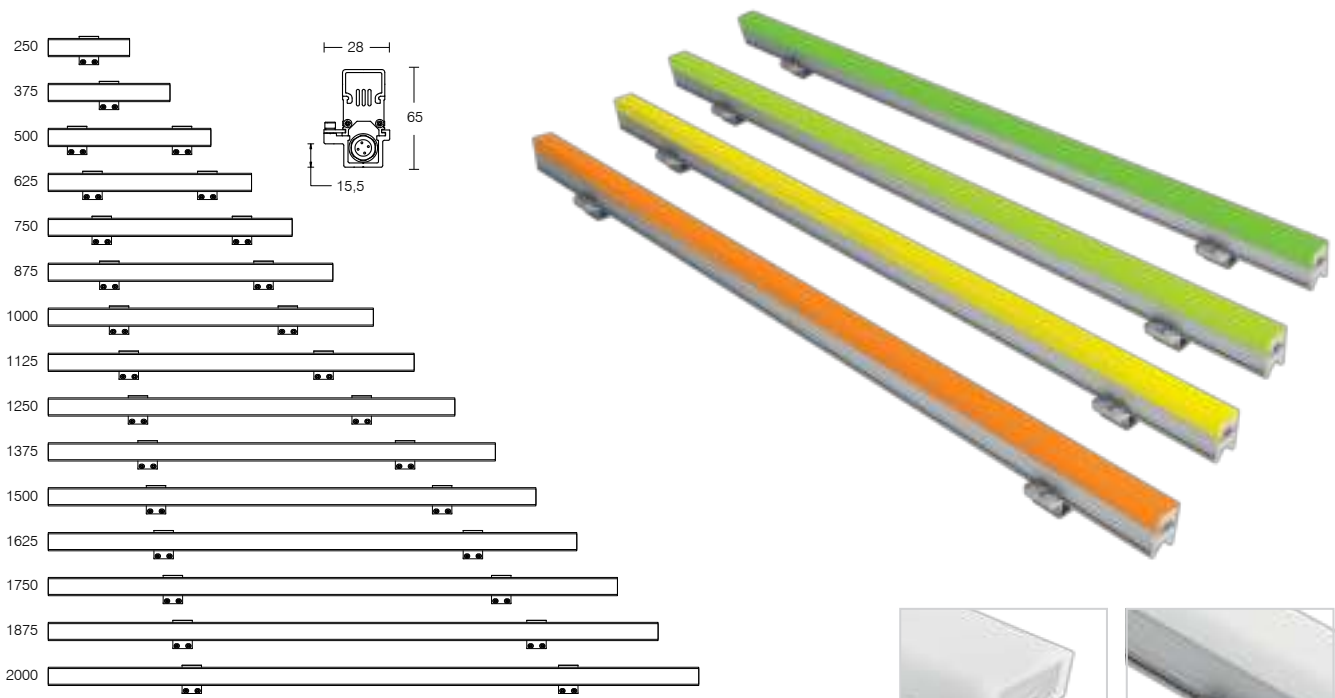
Purchase Order Table

CODE	LUMINAIRE POWER	LUMINAIRE LUMINOUS FLUX	COLOR DEPTH
01-06-XX-X	15W/m	690Lm/m	16.7 million

XX : Length of luminaire
 X : Number of LEDs (Each 12,5 cm length module consists of 6 RGB LEDs)
 * Length of luminaire starts from 25 cm and goes up to 200cm with multiples of 12,5 cm.
 * RGBW version is also available with 48 RGB LEDs + 48 White(2700K-6500K) LEDs per meter.

BAYLINE FULL RGB

EN 60598 | IK09 | IP67 | CE



IP67 SOCKET

Technical Specifications

Linear lights made of aluminium extrusion	0-10V / 1-10V controllable (Optional)
Clear - Opal polycarbon diffuser (Optional)	RGB PWM signal with RC (Optional)
Color standard mat anodizing	DMX 512
Input 24V DC	Safety Class II
Power factor (min.) 0.92	Protection Class IP67
Diffuser angle 180°	Operation temperature -25°C / +55°C
RGB (Standard) / RGBW (Optional)	Complies with European standards
DALI controllable (Optional)	EN 60598 and CE certificate

CCT tolerance within a 3 step MacAdams ellipse and LM80 compliant

Lifetime 50.000 working hours at least



Scan QR Code to get all technical documents and the other updated files for this product.

