



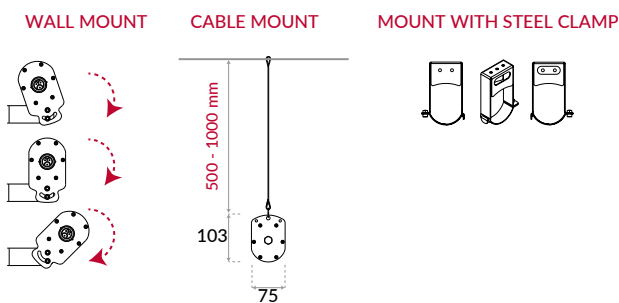
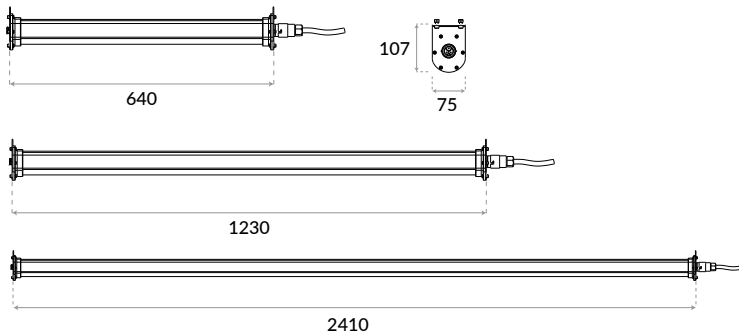
Purchase Order Table

CODE	MODULE POWER	LUMINAIRE POWER	MODULE LUMINOUS FLUX	LUMINAIRE LUMINOUS FLUX	COLOR TEMPERATURE
90-01-65-25-96-X	23W	25W	4134lm-4270lm	3483lm-3586lm	3000K-4000K
90-01-65-35-96-X	32W	35W	5453lm-5632lm	4581lm-4731lm	3000K-4000K
90-01-125-50-192-X	46W	50W	8268lm-8540lm	6966lm-7172lm	3000K-4000K
90-01-125-70-192-X	64W	70W	10906lm-11264lm	9161lm-9462lm	3000K-4000K
90-01-240-105-384-X	96W	105W	17252lm-17818lm	14492lm-14967lm	3000K-4000K
90-01-240-140-384-X	127W	140W	21812lm-22528lm	18324lm-18924lm	3000K-4000K

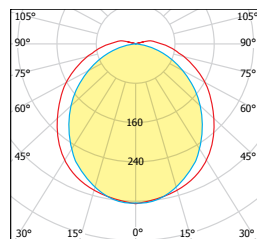
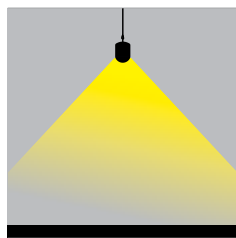
X : Led Color
Standard color temperature 4000K, also available with 6500K on request.

EXEGI 1

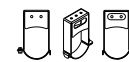
EN 60598 | IK10 | IP66 | CE



Photometric Curves



STEEL CLAMP ▶



SHORT ▶



LONG ▶



Technical Specifications

Polycarbon and Aluminium profile.	0-10V / 1-10V controllable (optional)
Stainless Steel and Polycarbon lids.	Safety class I
Silicon rubber gasket	Protection class IP66
Swivel range 70°(Optional)	Impact strenght IK10
Mounting bracket made of stainless steel.	Operation temperature -25°C / +55°C
LED chip angle 120°(without lens)	Wind catching area: 0,14m ²
Color standard mat anodized,	Weight: 64cm: 1.37kg / 123cm: 2.39kg / 240cm: 4,42kg
Input 198 - 264V AC 50 / 60 Hz	EULUMDAT files available
Power factor (min.) 0.92	Complies with European standards
Mono Color (Standard)	EN 60598 and CE certificate
DALI controllable (optional)	

CCT tolerance within a 3 step MacAdams ellipse and LM80 compliant

Lifetime 50.000 working hours at least



Scan QR Code to get all technical documents and the other updated files for this product.

