



Purchase Order Table

CODE	MODULE POWER	LUMINAIRE POWER	MODULE LUMINOUS FLUX	LUMINAIRE LUMINOUS FLUX	COLOR TEMPERATURE
60-56-140-XX-X	127W	140W	21005lm - 22104lm	19745lm - 20777lm	3000K-4000K
60-56-175-XX-X	159W	175W	25037lm - 26346lm	23535lm - 24765lm	3000K-4000K
60-56-190-XX-X	173W	190W	26764lm - 28163lm	25158lm - 26473lm	3000K-4000K
60-56-230-XX-X	209W	230W	30888lm - 32503lm	29035lm - 30553lm	3000K-4000K

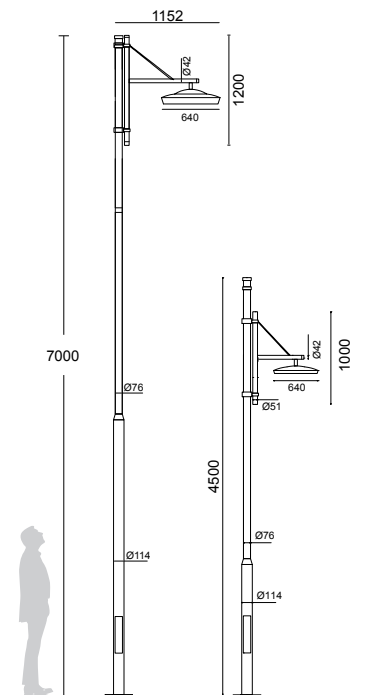
XX : Lens Angle, X : Led Color
Standard color temperature 4000K, also available with 6500K on request.

USED POWER SUPPLY BRANDS

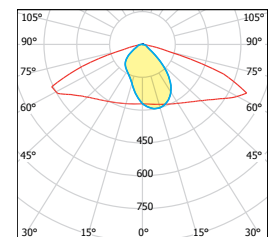
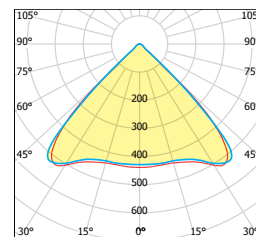
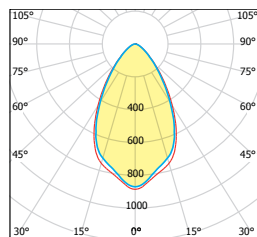
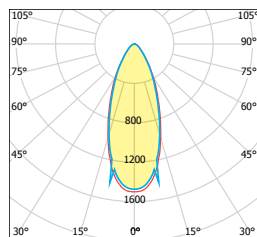
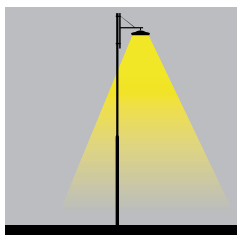


USED LED BRANDS





Photometric Curves



Technical Specifications

Total Height 3m-9,5m
 Body Pole, Steel (coated with electro galvanized)-Standard, Steel (Coated with hot dip galvanized)-upon request, Aluminium and steel conical poles - upon request
 Bracket Manufactured from steel
 All RAL Codes or Special architectural paints
 Luminary Part Manufactured from Aluminium
 Protection Class IP66

Insulation Class II
 Mounting Detail Anchor System
 Impact Resistance IK08
 LED Driver 350-700mA
 Cable 3*1,5TTR Non-flammable
 Operating Temperature -25°C +55°C
 Elliptical Shaped asymmetrical lenses
 CRI 3000K>80 / 4000K>70

CCT tolerance within a 3 step MacAdams ellipse and LM80 compliant

Lifetime 50.000 working hours at least



Scan QR Code to get all technical documents and the other updated files for this product.

