



Purchase Order Table

CODE	MODULE POWER	LUMINAIRE POWER	MODULE LUMINOUS FLUX	LUMINAIRE LUMINOUS FLUX	COLOR TEMPERATURE
45-06-70-32-XX-X	64W	70W	8872lm - 9527lm	8340lm - 8955lm	3000K-4000K
45-06-80-84-XX-X	73W	80W	11440lm - 12056lm	10400lm - 10960lm	3000K-4000K
45-06-90-84-XX-X	82W	90W	12453lm - 13104lm	11705lm - 12317lm	3000K-4000K
45-06-100-96-XX-X	91W	100W	13924lm - 14652lm	13089lm - 13773lm	3000K-4000K

XX : Lens Angle, X : Led Color
 Standard color temperature 4000K, also available with 6500K on request.

USED POWER SUPPLY BRANDS

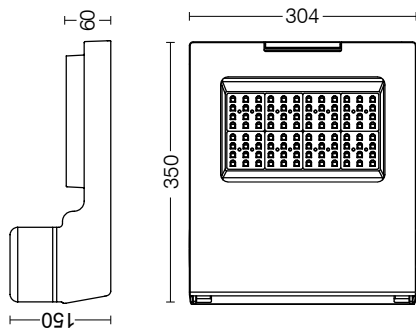


USED LED BRANDS

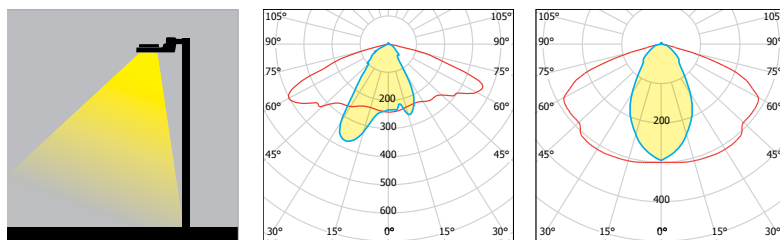


SIRUS STL

EN 60598 | IK09 | IP66 | CE



Photometric Curves



Technical Specifications

Street lights made of aluminium die cast	Mono color (Standard)
Galvanized steel fittings	DALI controllable (Optional)
Clear 5mm safety glass	0-10V / 1-10V controllable (Optional)
Silicon rubber gasket	Safety Class I
Mounting bracket made of steel	Protection Class IP66
Electrostatic powder coating	Impact strength IK09
Lens angle ASYM	Operation temperature -25°C / +55°C
Color standard MT-X6-23, optional RAL codes	Wind catching area: 0,11 m ²
Power factor (min.) 0.92	Weight: 8kg
Input 100 - 305V AC 50/60Hz	EULUMDAT files available
6kV surge protection	Complies with European standards
10kV surge protection (Optional)	EN 60598 and CE certificate

CCT tolerance within a 3 step MacAdams ellipse and LM80 compliant

Lifetime 50.000 working hours at least



Scan QR Code to get all technical documents and the other updated files for this product.

