

Mid Power LED Standard Lumen Output (Beam angle options: 15°-40°-60°-90°-30°x96°)

512 LED

CODE	MODULE POWER	LUMINAIRE POWER	MODULE LUM. FLUX	LUMINAIRE LUM. FLUX	COLOR TEMP.
45-20-360-512-XX-X	327W	360W	53372lm - 56164lm	49636lm - 52232lm	3000K-4000K
45-20-460-512-XX-X	418W	460W	64389lm - 67831lm	59881lm - 63012lm	3000K-4000K

Mid Power LED High Lumen Output (Beam angle options: 30°-60°-90°-143°x50°)

768 LED

45-26-300-768-XX-X	273W	300W	52040lm - 53536lm	47356lm - 48716lm	3000K-4000K
45-26-400-768-XX-X	364W	400W	67380lm - 69316lm	61316lm - 63076lm	3000K-4000K

Mid Power LED Extra High Lumen Output (Beam angle options: 22°-30°-60°-90°)

1152 LED

45-20-300-1152-XX-X	273W	300W	54568lm - 56136lm	49656lm - 51084lm	3000K-4000K
45-20-400-1152-XX-X	364W	400W	70644lm - 72672lm	64288lm - 66212lm	3000K-4000K
45-20-500-1152-XX-X	455W	500W	85496lm - 87952lm	77804lm - 80036lm	3000K-4000K

High Power LED High Lumen Output (Beam angle options: 8°-15°-25°-40°-60°-10x45°-30x60°)

192 LED

45-20-540-192-XX-X	491W	540W	82964lm	74076lm	6500K
--------------------	------	------	---------	---------	-------

XX : Lens Angle, X : Led Color
Standard color temperature 4000K, also available with 6500K on request.

USED POWER SUPPLY BRANDS



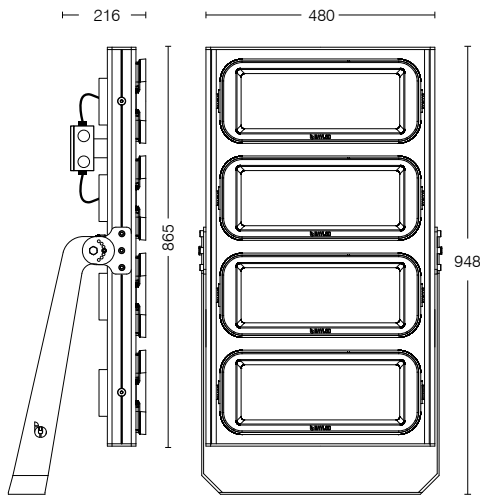
USED LED BRANDS



TETRA PRL-4

EN 60598 | IK09 | IP66 | CE

DALI **1.....10V** **RGB** DALI / 1-10 V DIMMABLE / RGB VERSION AVAILABLE ON REQUEST



MOVABLE HEAD



Technical Specifications

Floodlight made of aluminium die cast	DALI controllable (Optional)
Galvanized steel fittings	0-10V / 1-10V controllable (Optional)
Clear 5mm safety glass	Safety Class I
Silicon rubber gasket	Protection class IP66
Swivel range 100°	Impact strength IK09
Mounting bracket made of steel with	Operation temperature -25°C / +55°C
Electrostatic powder coating	Wind catching area: 0,32m²
Lens angle 8°-15°-22°-30°-40°-60°-90°-143x50°-30°x96°	Weight: 30,4 kg
Color standard MT-X6-23, optional RAL codes	EULUMDAT files available
Input 100 - 305V AC 50 / 60 Hz	Complies with European standards
Power factor (min.) 0.92	EN 60598 and CE certificate
Mono color (Standard)	6kV surge protection (10kV optional)

CCT tolerance within a 3 step MacAdams ellipse and LM80 compliant

Lifetime 50.000 working hours at least



Scan QR Code to get all technical documents and the other updated files for this product.

