

Mid Power LED Standard Lumen Output (Beam angle options: 15°-40°-60°-90°-30°x96°)

384 LED

CODE	MODULE POWER	LUMINAIRE POWER	MODULE LUM. FLUX	LUMINAIRE LUM. FLUX	COLOR TEMP.
45-12-270-384-XX-X	246W	270W	40029lm - 42123lm	37227lm - 39174lm	3000K-4000K
45-12-360-384-XX-X	327W	360W	50391lm - 53085lm	46863lm - 49314lm	3000K-4000K

Mid Power LED High Lumen Output (Beam angle options: 30°-60°-90°-143°x50°)

576 LED

45-12-225-576-XX-X	205W	225W	39030lm - 40152lm	35517m - 36537lm	3000K-4000K
45-12-300-576-XX-X	273W	300W	50535lm - 51987m	45987lm - 47307lm	3000K-4000K

Mid Power LED Extra High Lumen Output (Beam angle options: 22°-30°-60°-90°)

864 LED

45-12-225-864-XX-X	205W	225W	40926lm - 42102lm	37242lm - 38313lm	3000K-4000K
45-12-300-864-XX-X	273W	300W	52983lm - 54504lm	48216lm - 49659lm	3000K-4000K
45-12-375-864-XX-X	341W	375W	64122lm - 65964lm	58353lm - 60027lm	3000K-4000K

High Power LED High Lumen Output (Beam angle options: 8°-15°-25°-40°-60°-10x45°-30x60°)

144 LED

45-12-405-144-XX-X	368W	405W	62223lm	55557lm	6500K
--------------------	------	------	---------	---------	-------

XX : Lens Angle, X : Led Color
Standard color temperature 4000K, also available with 6500K on request.

USED POWER SUPPLY BRANDS



USED LED BRANDS



TETRA PRL-3

EN 60598 | IK09 | IP66 | CE

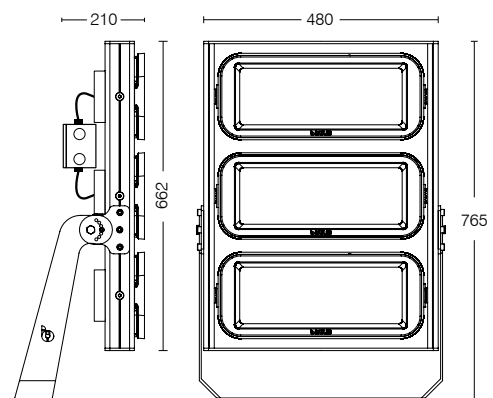
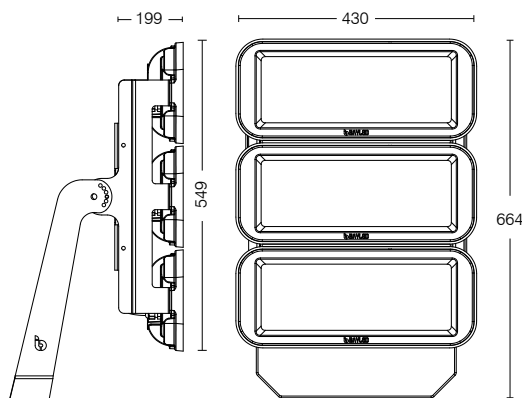
DALI **1.....10V** **RGB** DALI / 1-10 V DIMMABLE / RGB VERSION AVAILABLE ON REQUEST



FIXED HEAD



MOVABLE HEAD



Technical Specifications

Floodlight made of aluminium die cast	DALI controllable (Optional)
Galvanized steel fittings	0-10V / 1-10V controllable (Optional)
Clear 5mm safety glass	Safety Class I
Silicon rubber gasket	Protection class IP66
Swivel range 80°	Impact strenght IK09
Mounting bracket made of steel with	Operation temperature -25°C / +55°C
Electrostatic powder coating	Wind catching area: 0,24m²
Lens angle 8°-15°-22°-30°-40°-60°-90°-143x50°-30°x96°	Weight: Fixed Head: 17,5 kg / Movable Head: 23,3 kg
Color standard MT-X6-23, optional RAL codes	EULUMDAT files available
Input 100 - 305V AC 50 / 60 Hz	Complies with European standards
Power factor (min.) 0.92	EN 60598 and CE certificate
Mono color (Standard)	6kV surge protection (10kV optional)

CCT tolerance within a 3 step MacAdams ellipse and LM80 compliant

Lifetime 50.000 working hours at least



Scan QR Code to get all technical documents and the other updated files for this product.

