
Mid Power LED Standard Lumen Output (Beam angle options: 40°-60°-90°)

	CODE	MODULE POWER	LUMINAIRE POWER	MODULE LUM. FLUX	LUMINAIRE LUM. FLUX	COLOR TEMP.
128 LED	80-03-50-128-XX-X	46W	50W	8180lm - 8608lm	7608lm - 8006lm	3000K-4000K
	80-03-90-128-XX-X	82W	90W	13343lm - 14041lm	12409lm - 13058lm	3000K-4000K
	80-03-120-128-XX-X	109W	120W	16797lm - 17695lm	15621lm - 16438lm	3000K-4000K

Mid Power LED High Lumen Output (Beam angle options: 30°-60°-90°)

192 LED	80-03-50-192-XX-X	46W	50W	9095lm - 9356lm	8276lm - 8514lm	3000K-4000K
	80-03-75-192-XX-X	68W	75W	13010lm - 13384lm	11839lm - 12179lm	3000K-4000K
	80-03-100-192-XX-X	91W	100W	16845lm - 17329lm	15329lm - 15769lm	3000K-4000K

Mid Power LED Extra High Lumen Output (Beam angle options: 22°-30°-60°-90°)

288 LED	80-03-75-288-XX-X	68W	75W	13642lm - 14034lm	12414lm - 12771lm	3000K-4000K
	80-03-100-288-XX-X	91W	100W	17661lm - 18168lm	16072lm - 16553lm	3000K-4000K
	80-03-125-288-XX-X	114W	125W	21374lm - 21998lm	19451lm - 20009lm	3000K-4000K

High Power LED High Lumen Output (Beam angle options: 8°-15°-25°-40°-60°)

48 LED	80-03-135-48-XX-X	123W	135W	20741lm	18519lm	6500K
--------	-------------------	------	------	---------	---------	-------

XX : Lens Angle, X : Led Color
Standard color temperature 4000K, also available with 6500K on request.

USED POWER SUPPLY BRANDS

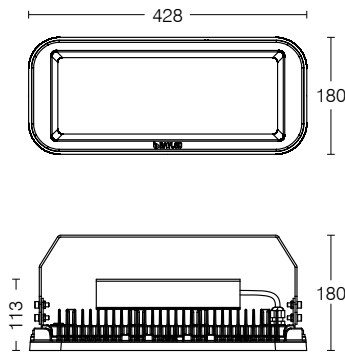


USED LED BRANDS



TETRA HIGH BAY HBL-1

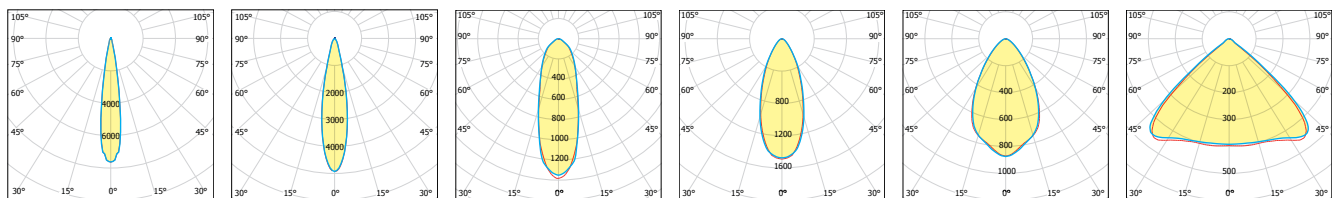
EN 60598 | IK09 | IP66 | CE



MOVABLE MOUNTING BRACKET



Photometric Curves



Technical Specifications

High-Bays made of aluminium die cast
Galvanized steel fittings
Clear 5mm safety glass
Silicon rubber gasket
Swivel range 120°
Mounting bracket made of steel
Electrostatic powder coating.
Lens angle 8°-15°-22°-30°-40°-60°-90°
Color standard MT-X6-23
Optional RAL codes.
Input 100 - 305V AC 50 / 60 Hz
Power factor (min.) 0.92

Mono color (Standard)
DALI controllable (Optional)
0-10V / 1-10V controllable (Optional)
Safety Class I
Protection Class IP66
Impact strength IK09
Operation temperature -25°C / +55°C
Wind catching area: 0,08m²
Weight: 5,8 kg
EULUMDAT files available
Complies with European standards
EN 60598 and CE certificate

CCT tolerance within a 3 step MacAdams ellipse and LM80 compliant

Lifetime 50.000 working hours at least



Scan QR Code to get all technical documents and the other updated files for this product.

