



Standard Lumen Output (Beam angle options: 40°-60°-90°-120°(without lens))

80-108 LED

CODE	MODULE POWER	LUMINAIRE POWER	MODULE LUMINOUS FLUX	LUMINAIRE LUMINOUS FLUX	COLOR TEMPERATURE
81-01-45-80-XX-X	41W	45W	7222lm - 7600lm	6789lm - 7144lm	3000K-4000K
81-01-60-108-XX-X	55W	60W	9651lm - 10156lm	9072lm - 9546lm	3000K-4000K
81-01-90-80-XX-X	82W	90W	12555lm - 13211lm	11801lm - 12418lm	3000K-4000K
81-01-120-108-XX-X	109W	120W	16354lm - 17209lm	15373lm - 16177lm	3000K-4000K

High Lumen Output (Beam angle options: 40°-60°-90°)

136 LED

CODE	MODULE POWER	LUMINAIRE POWER	MODULE LUMINOUS FLUX	LUMINAIRE LUMINOUS FLUX	COLOR TEMPERATURE
80-01-140-136-XX-X	127W	140W	19507lm - 20527lm	18337lm - 19295lm	3000K-4000K

XX : Lens Angle, X : Led Color
Standard color temperature 4000K, also available with 6500K on request.

USED POWER SUPPLY BRANDS

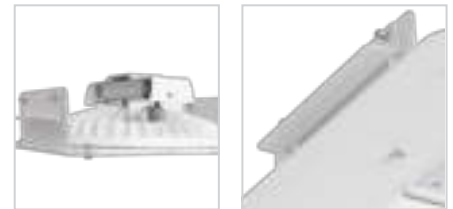
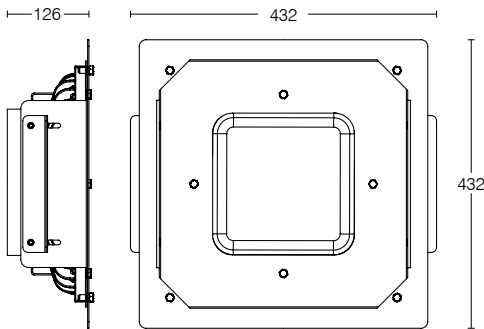


USED LED BRANDS

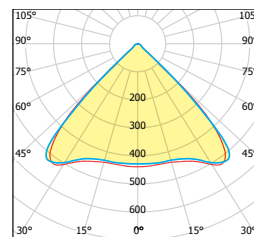
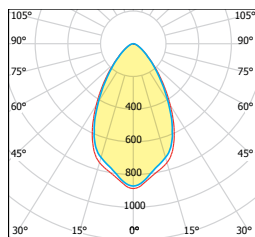
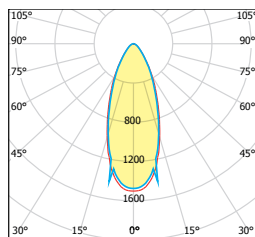


CANOPY

EN 60598 | IK09 | IP66 | CE



Photometric Curves



Technical Specifications

Canopies made of aluminium die cast	Mono color (Standard)
Galvanized steel fittings	DALI controllable (Optional)
Clear 5mm safety glass	0-10V / 1-10V controllable (Optional)
Silicon rubber gasket	Safety Class I
Mounting bracket made of steel	Protection Class IP66
Electrostatic powder coating.	Impact strength IK09
Lens angle 30°-40°- 60°- 90° - 120°(without lens)	Operation temperature -25°C / +55°C
Color standard white	Wind catching area: 0,08m ²
Optional RAL codes.	Weight: 9,3 kg
Input 100 - 305V AC 50 / 60 Hz	EULUMDAT files available
Power factor (min.) 0.92	Complies with European standards
6kV surge protection	EN 60598 and CE certificate

CCT tolerance within a 3 step MacAdams ellipse and LM80 compliant

Lifetime 50.000 working hours at least



Scan QR Code to get all technical documents and the other updated files for this product.

