

Mid Power LED Standard Lumen Output (Beam angle options: 15°-40°-60°-90°-30°x96°)

256 LED

CODE	MODULE POWER	LUMINAIRE POWER	MODULE LUM. FLUX	LUMINAIRE LUM. FLUX	COLOR TEMP.
45-11-190-256-XX-X	173W	190W	28169lm - 29642lm	26197lm - 27567lm	3000K-4000K
45-11-230-256-XX-X	209W	230W	32194lm - 33915lm	29940lm - 31506lm	3000K-4000K

Mid Power LED High Lumen Output (Beam angle options: 30°-60°-90°-143°x50°)

384 LED

45-11-150-384-XX-X	136W	150W	26020lm - 26768lm	23678lm - 24358lm	3000K-4000K
45-11-200-384-XX-X	182W	200W	33690lm - 34658lm	30658lm - 31538lm	3000K-4000K

Mid Power LED Extra High Lumen Output (Beam angle options: 22°-30°-60°-90°)

576 LED

45-11-150-576-XX-X	136W	150W	27284lm - 28068lm	24828lm - 25542lm	3000K-4000K
45-11-200-576-XX-X	182W	200W	35322lm - 36336lm	32144lm - 33106lm	3000K-4000K
45-11-250-576-XX-X	227W	250W	42748lm - 43976lm	38902lm - 40018lm	3000K-4000K

High Power LED High Lumen Output (Beam angle options: 8°-15°-25°-40°-60°-10x45°-30x60°)

96 LED

45-11-270-96-XX-X	246W	270W	41482lm	37038lm	6500K
-------------------	------	------	---------	---------	-------

XX : Lens Angle, X : Led Color
Standard color temperature 4000K, also available with 6500K on request.

USED POWER SUPPLY BRANDS



USED LED BRANDS



TETRA PRL-2

EN 60598 | IK09 | IP66 | CE

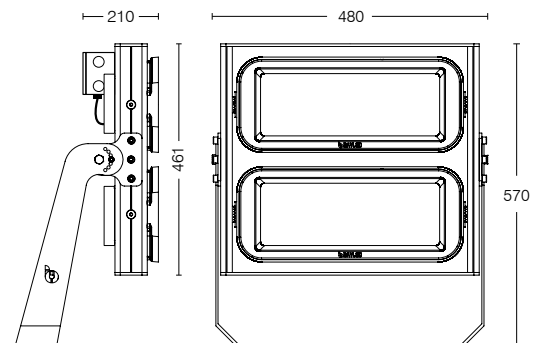
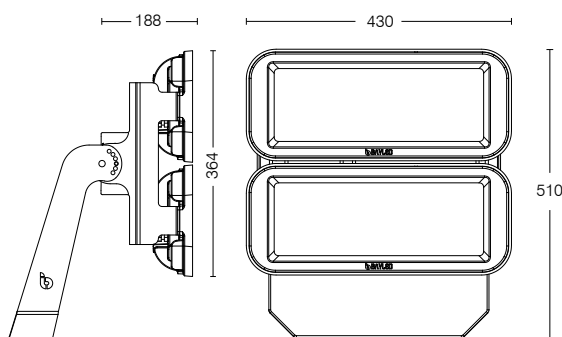
DALI **1.....10V** **RGB** DALI / 1-10 V DIMMABLE / RGB VERSION AVAILABLE ON REQUEST



FIXED HEAD



MOVABLE HEAD



Technical Specifications

Floodlight made of aluminium die cast	DALI controllable (Optional)
Galvanized steel fittings	0-10V / 1-10V controllable (Optional)
Clear 5mm safety glass	Safety Class I
Silicon rubber gasket	Protection class IP66
Swivel range 100°	Impact strenght IK09
Mounting bracket made of steel with	Operation temperature -25°C / +55°C
Electrostatic powder coating	Wind catching area: 0,16m²
Lens angle 8°-15°-22°-30°-40°-60°-90°-143x50°-30°x96°	Weight: Fixed Head: 1,5,5 kg / Movable Head: 1,7,2 kg
Color standard MT-X6-23, optional RAL codes	EULUMDAT files available
Input 100 - 305V AC 50 / 60 Hz	Complies with European standards
Power factor (min.) 0.92	EN 60598 and CE certificate
Mono color (Standard)	6kV surge protection (10kV optional)

CCT tolerance within a 3 step MacAdams ellipse and LM80 compliant

Lifetime 50.000 working hours at least



Scan QR Code to get all technical documents and the other updated files for this product.

