



Standard Lumen Output (Beam angle options: 15°-40°-60°-90°-30°x96°)

80-108 LED

CODE	MODULE POWER	LUMINAIRE POWER	MODULE LUMINOUS FLUX	LUMINAIRE LUMINOUS FLUX	COLOR TEMPERATURE
45-17-90-80-XX-X	82W	90W	12620lm - 13280lm	11863lm - 12483lm	3000K-4000K
45-17-120-108-XX-X	110W	120W	16800lm - 17400lm	15454lm - 16262lm	3000K-4000K

High Lumen Output (Beam angle options: 40°-60°-90°)

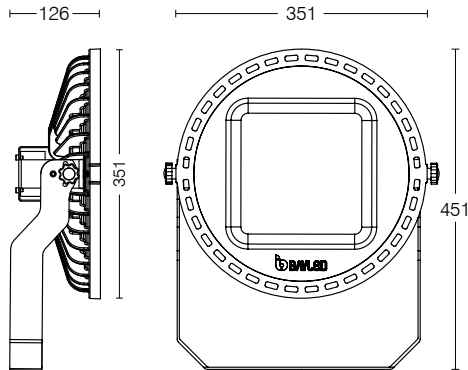
136 LED

CODE	MODULE POWER	LUMINAIRE POWER	MODULE LUMINOUS FLUX	LUMINAIRE LUMINOUS FLUX	COLOR TEMPERATURE
45-17-140-136-XX-X	128W	140W	19507lm - 20527lm	18337lm - 19295lm	3000K-4000K

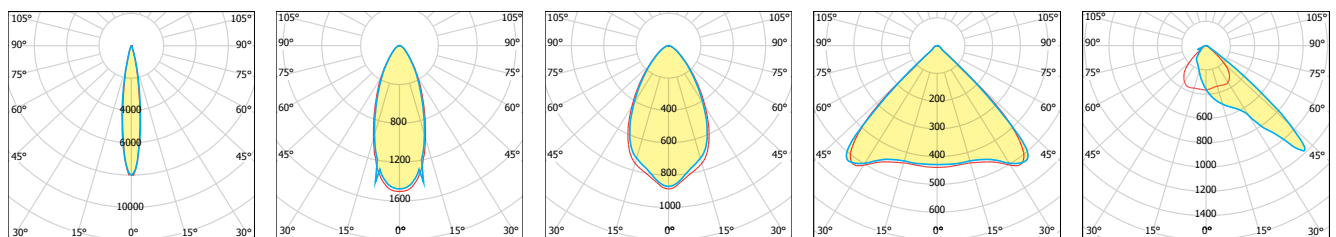
XX : Lens Angle, X : Led Color
Standard color temperature 4000K, also available with 6500K on request.

ROOM M

EN 60598 | IK09 | IP66 | CE



Photometric Curves



Technical Specifications

Floodlight made of aluminium die cast	DALI controllable (Optional)
Galvanized steel fittings	0-10V / 1-10V controllable (Optional)
Clear 5mm safety glass	Safety Class I
Silicon rubber gasket	Protection class IP66
Swivel range 80°	Impact strength IK09
Mounting bracket made of steel with	Operation temperature -25°C / +55°C
Electrostatic powder coating	Wind catching area: 0,08m²
Lens angle 15°-40°-60°-90°-30°x96°	Weight: 7,3 kg
Color standard MT-X6-23, optional RAL codes	EULUMDAT files available
Input 100 - 305V AC 50 / 60 Hz	Complies with European standards
Power factor (min.) 0.92	EN 60598 and CE certificate
Mono color (Standard)	6kV surge protection (10kV optional)

CCT tolerance within a 3 step MacAdams ellipse and LM80 compliant

Lifetime 50.000 working hours at least



Scan QR Code to get all technical documents and the other updated files for this product.

