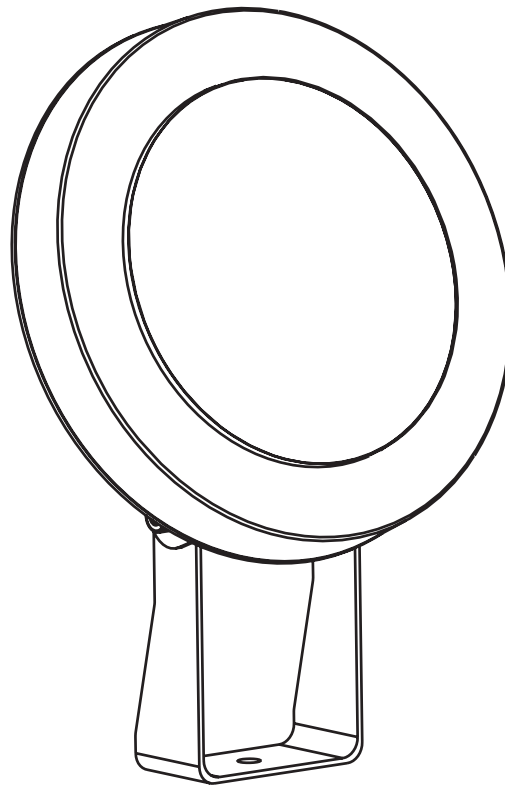


ORCA 9 RGBW(A)

SPECIFICATION SHEETS



EXPLANATION

ORCA RGBW SERIES Series is a powerful and outdoor rated underwater with high lumen output and excellent color consistency. ORCA RGBW SERIES are excellent solution for underwater Lighting.

ORCA RGBW SERIES Series is produced in 9 pcs colored LED. ORCA RGBW SERIES Series has a stainless steel body. It works at 24V DC to ensure connections over long distances. ORCA RGBW SERIES Series provides easy setup and programming with standard DMX 512 protocols without special or complex communication protocols.

- ORCA RGBW SERIES provides compatible communication with other fixtures using standard DMX 512 protocols without requiring any other special communication protocol or production ID. This feature allows for easy pixel mapping and addressing after all installations have been completed.
- ORCA RGBW SERIES ingrounds enable flexible application using very long starter and jumper cables, since they operate in 24V DC input voltage.
- ORCA RGBW SERIES Series work through Madrix® or Enttec software and hardware in coordination. Pixel mapping can be made easily by selecting fixtures in Madrix® or Enttec library.
- IP68 class ORCA RGBW SERIES, are designed to meet the challenging requirements of exterior applications with their robust and durable structure. It is resistant to shock, vibration and other harsh conditions through die cast aluminium body and PMMA cover.
- Input is delivered through a IP68 connector and cables. Jumper cables can be determined according to the desired length of cable.

Output	RGBW(A) 9W
Light Source	9 High Power Colored LEDs
Lumen Maintenance	60.000 > hours L70 @ 50° C (full output)
Color Range	16.7 Million additive RGB colors, white CCT 6500K
Ra(CRI)	RGBW(A) Full on ≥70CRI
Beam Angle	30°-50°
Luminous Flux	760 lm
Efficacy (lm/W)	85 lm/W

Control & Programming

Color Resolution:	4 x 8-bit (Gamma correction)
Addressing:	RDM (Group of Remote Addressable Systems)
PWM Frequency:	1000Hz flicker free dimming
DMX / DALI Compliance:	USITT DMX512-1990
RDM Compliance:	ANSI/ESTA E1.20-2010

Electrical

Operating Voltage:	12V DC
Power Consumption:	9W
Connections:	Wire and Connector

Physical

Housing:	Die cast
Front Material:	PMMA
Installation Brackets:	Stainless steel
Gasket:	Silicon

Measurements:

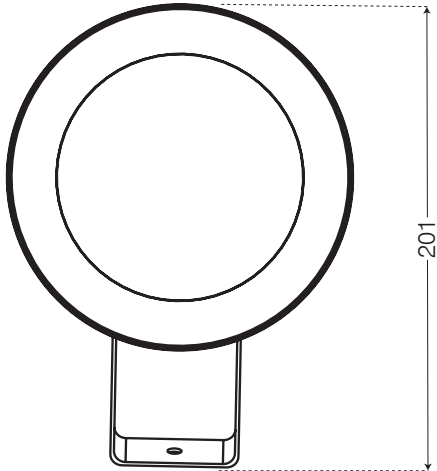
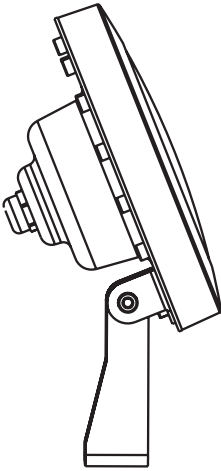
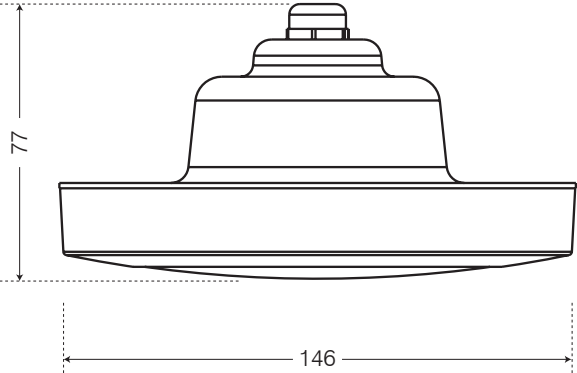
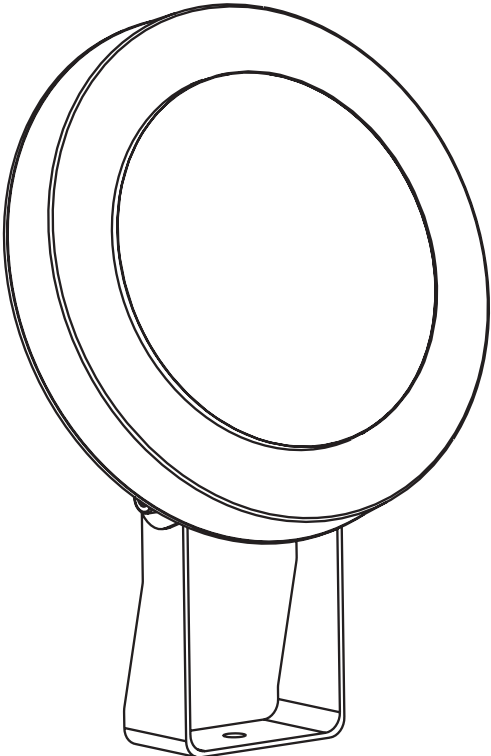
Dimensions: (height x width x depth)	201 x 146 x 77 mm
Net weight:	0,57 kg

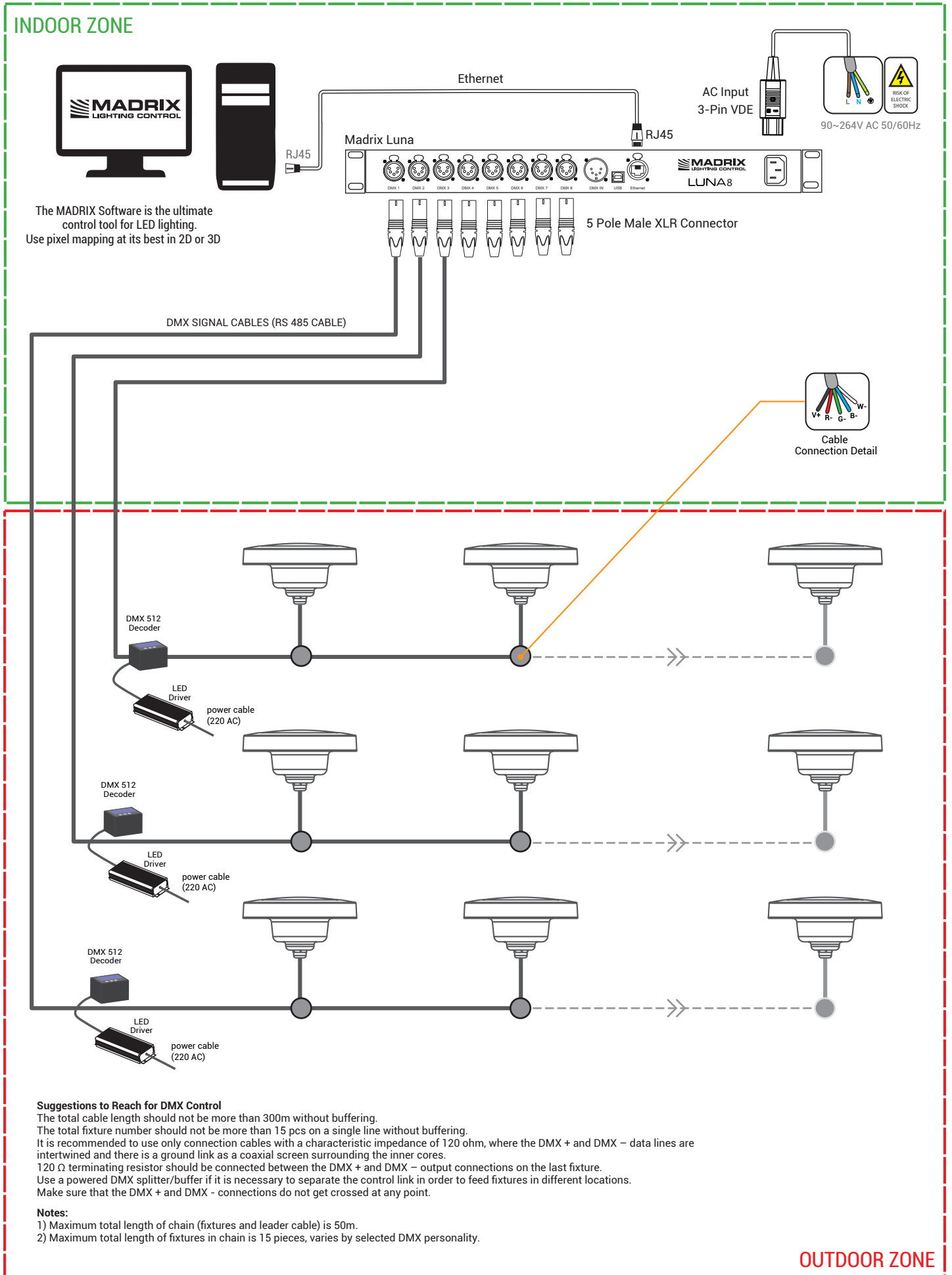
Environmental

Storage Temperature:	-40°C / +85°C
Ambient Temperature:	-25°C / +50°C
Operating Temperature:	-25°C / +65°C
Cooling:	Cooling by free water convection
Ingress Protection Rating:	IP68

Certificate: EN 60598, CE

Warranty: 3-year Limited Warranty





INDOOR ZONE

The MADRIX Software is the ultimate control tool for LED lighting. Use pixel mapping at its best in 2D or 3D

AC Input
3-Pin VDE

90~264V AC 50/60Hz

RISK OF ELECTRIC SHOCK

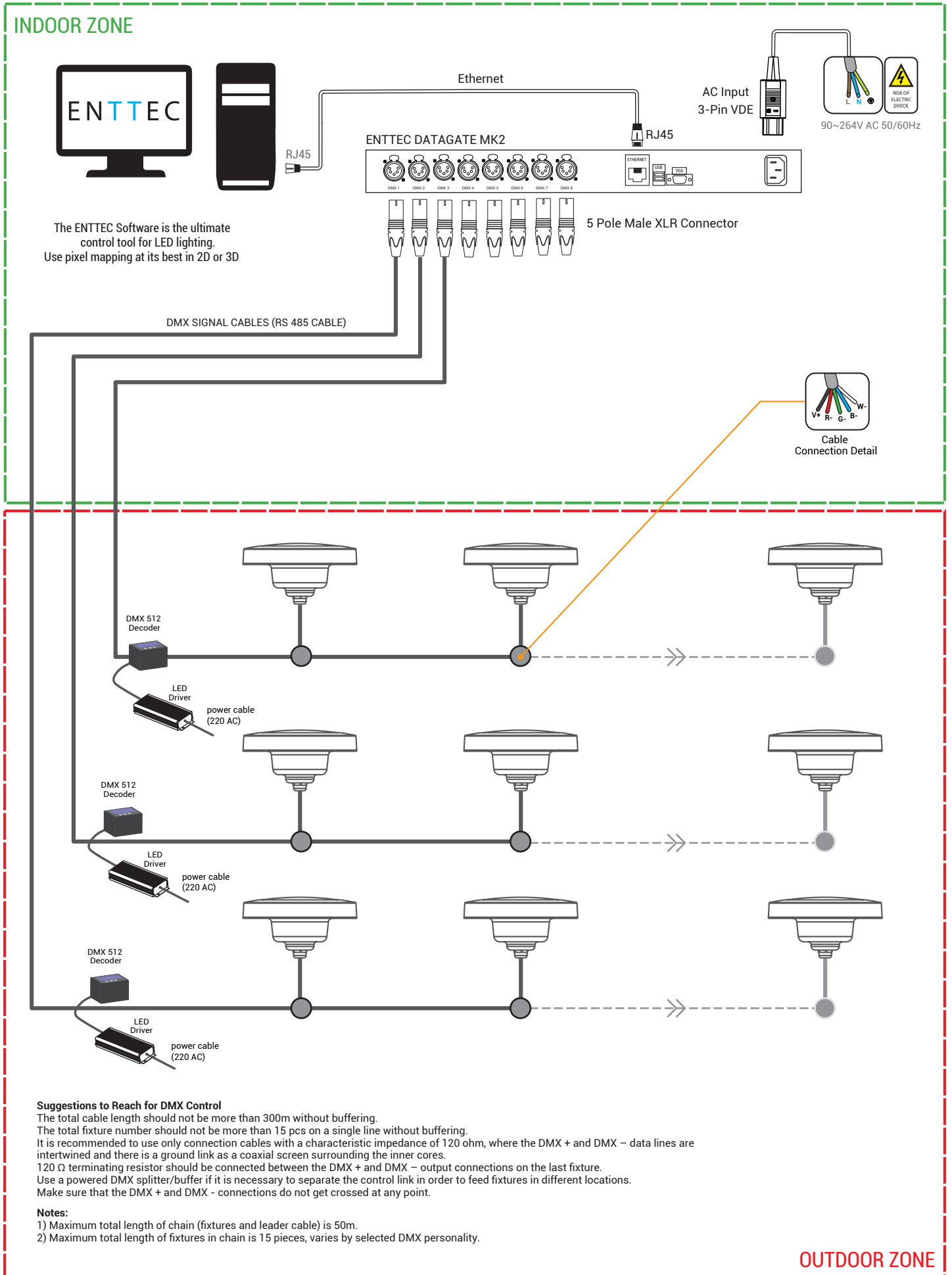
Cable Connection Detail

V+ R- G- B- W-

Suggestions to Reach for DMX Control
 The total cable length should not be more than 300m without buffering.
 The total fixture number should not be more than 15 pcs on a single line without buffering.
 It is recommended to use only connection cables with a characteristic impedance of 120 ohm, where the DMX + and DMX - data lines are intertwined and there is a ground link as a coaxial screen surrounding the inner cores.
 120 Ω terminating resistor should be connected between the DMX + and DMX - output connections on the last fixture.
 Use a powered DMX splitter/buffer if it is necessary to separate the control link in order to feed fixtures in different locations.
 Make sure that the DMX + and DMX - connections do not get crossed at any point.

- Notes:**
- 1) Maximum total length of chain (fixtures and leader cable) is 50m.
 - 2) Maximum total length of fixtures in chain is 15 pieces, varies by selected DMX personality.

OUTDOOR ZONE



The ENTTEC Software is the ultimate control tool for LED lighting. Use pixel mapping at its best in 2D or 3D

Cable Connection Detail

Suggestions to Reach for DMX Control

The total cable length should not be more than 300m without buffering.
 The total fixture number should not be more than 15 pcs on a single line without buffering.
 It is recommended to use only connection cables with a characteristic impedance of 120 ohm, where the DMX + and DMX - data lines are intertwined and there is a ground link as a coaxial screen surrounding the inner cores.
 120 Ω terminating resistor should be connected between the DMX + and DMX - output connections on the last fixture.
 Use a powered DMX splitter/buffer if it is necessary to separate the control link in order to feed fixtures in different locations.
 Make sure that the DMX + and DMX - connections do not get crossed at any point.

Notes:

- 1) Maximum total length of chain (fixtures and leader cable) is 50m.
- 2) Maximum total length of fixtures in chain is 15 pieces, varies by selected DMX personality.

OUTDOOR ZONE

RDM EXPLANATION

ORCA 9 RGBW(A)

complies with the RDM Monitoring Command System. In order to use RDM Monitoring System, a compatible controller is required depending on the installation.

Through DMX data connection, it is possible to control the fixture's settings, send commands and receive or monitor the fixture's data.

DEVICE MANAGEMENT

	GET	SET
Device Info	√	√
DMX Start Address	√	√
Identify Device	√	√
Device Model Description	√	
Device Label	√	√
Software Version Label	√	
DMX Personality	√	√
DMX Personality Description	√	
Device Power Cycles	√	
Status ID Description	√	
Supported Parameters	√	
Parameter Description	√	

* The command names and command functions used on different RDM controllers may vary.

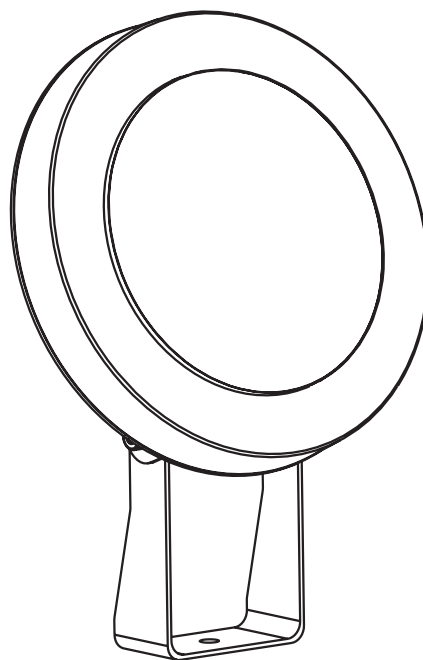
* Incompatible RDM controllers may cause drawbacks such as partial operation, no-operation, or incorrect fixture information.

* You can check the recommended RDM controllers on the www.bayled.eu website.

9 LED - MID POWER LED - RGBW(A)

(Beam angle options: 30°-50°)

30-02-24-9-XX-RGBW



Date _____
Company _____
Project _____

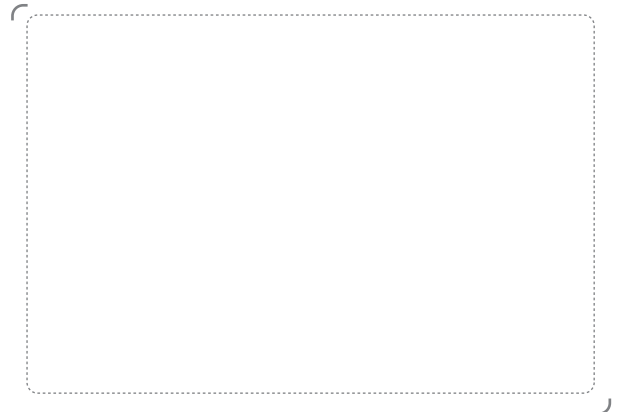


BAYTAŞ AYDINLATMA LTD.ŞTİ.

Sincan Sanayi Sitesi Ahi Evran Mahallesi
255. Cadde No:84 06935 Sincan
Ankara / TÜRKİYE

Tel: +90 (312) 395 76 35 - 45
Faks: +90 (312) 395 73 65

www.bayled.eu



*All rights reserved
BAYLED may change products' specifications and
informations in this document without notifying in advance.
Bayled is a Baytaş Group Brand*

OUR BRANDS

