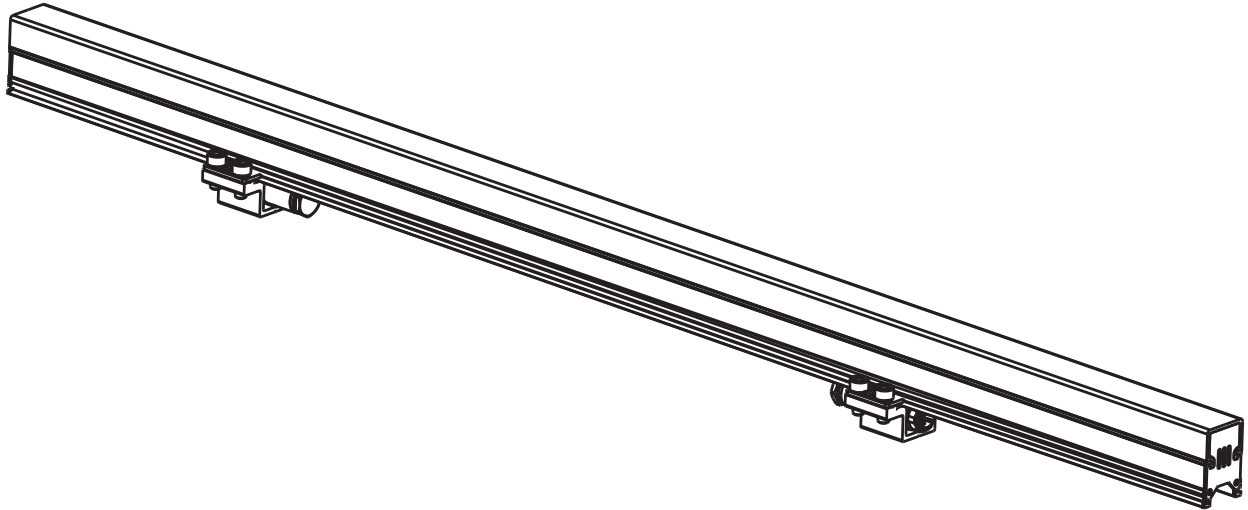


# BAYLINE FULL RGB

## SPECIFICATION SHEETS



### EXPLANATION

•BAYLINE FULL RGB provides optimum illumination with excellent colour harmony for media facade lighting, bridges, stadiums, creative stage lighting, and specialized lighting design. BAYLINE FULL RGB fixtures provide a dynamic lighting solution, advanced accessory alternatives and easy assembly structures. BAYLINE FULL RGB is used especially in dynamic lighting applications that require a long and linear appearance, and thus offers great opportunities for special lighting designs as well. BAYLINE FULL RGB Series is produced in 48 LED/meter pcs colored LED. BAYLINE FULL RGB Series has a sturdy extruded aluminium body. It works at 24V DC to ensure connections over long distances. BAYLINE FULL RGB provides easy setup and programming with standard DMX 512 without special or complex communication protocols.

- BAYLINE FULL RGB provides compatible communication with other fixtures using standard DMX 512 without requiring any other special communication protocol or production ID. This feature allows for easy pixel mapping and addressing after all installations have been completed.
- BAYLINE FULL RGB linear lights enable flexible application using very long starter and jumper cables, since they operate in 24V DC voltage range.
- BAYLINE FULL RGB work through Madrix® or Enttec software and hardware in coordination. Pixel mapping can be made easily by selecting fixtures in Madrix® or Enttec library.
- IP67 class BAYLINE FULL RGB, are designed to meet the challenging requirements of exterior applications with their robust and durable structure. It is resistant to shock, vibration and other harsh conditions through extruded aluminium body.
- Input and output is delivered through a cable and requires an extra junction box. This junction allows cable connection between distances. Jumper cables can be determined according to the desired length of cable.
- Diffuser profiles are resistant to impacts and UV, and never turn yellow during their lifetime due to the alloyed PMMA and PC structure.
- BAYLINE FULL RGB provides power and data transmission via input and output connectors. IP67 connectors are in screw structure. They can be easily rotated and assembled, and leave sufficient gaps between the fixtures. There is no need to use an extra junction-box via input and output.
- BAYLINE FULL RGB Series is produced in grey color as standard, and is also available in different colors in RAL code upon request.

|                          |  |
|--------------------------|--|
| <b>Output</b>            | <b>FULL RGB</b>                            |
| <b>Light Source</b>      | 48 Low Power 3 in 1 Colored LEDs per meter |
| <b>Lumen Maintenance</b> | 60.000 > hours L70 @ 50° C (full output)   |
| <b>Color Range</b>       | 16.7 Million additive RGB colors           |
| <b>Ra(CRI)</b>           | RGB Full on ≥70CRI                         |
| <b>Beam Angle</b>        | 180° with diffuser                         |
| <b>Luminous Flux</b>     | 690 lm/m                                   |
| <b>Efficacy (lm/W)</b>   | 46 lm/W                                    |

---

**Control & Programming**

|                               |   |
|-------------------------------|---|
| <b>Color Resolution:</b>      | 3 x 8-bit (Gamma correction)              |
| <b>Addressing:</b>            | RDM (Group of Remote Addressable Systems) |
| <b>PWM Frequency:</b>         | 1000Hz flicker free dimming               |
| <b>DMX / DALI Compliance:</b> | USITT DMX512-1990                         |
| <b>RDM Compliance:</b>        | ANSI/ESTA E1.20-2010                      |

---

**Electrical**

|                           |           |
|---------------------------|-----------|
| <b>Operating Voltage:</b> | 24V DC    |
| <b>Power Consumption:</b> | 15W/m     |
| <b>Connections:</b>       | Connector |

---

**Physical**

|                               |  |
|-------------------------------|--|
| <b>Housing:</b>               | Extrusion                                    |
| <b>Front Material:</b>        | PMMA   |
| <b>Installation Brackets:</b> | Aluminium and plastic                        |
| <b>Gasket:</b>                | Silicon                                      |
| <b>Color:</b>                 | Grey (standard) or Custom Any RAL (optional) |

---

**Measurements:**

|  |                                  |
|--|----------------------------------|
| <b>Dimensions:</b><br>(height x width x depth) | 28 mm x (250 mm-2000 mm) x 65 mm |
| <b>Net weight:</b>                             | 0,84 kg/m                        |

---

**Environmental**

|                                   |                                |
|-----------------------------------|--------------------------------|
| <b>Storage Temperature:</b>       | -40°C / +85°C                  |
| <b>Ambient Temperature:</b>       | -25°C / +50°C                  |
| <b>Operating Temperature:</b>     | -25°C / +65°C                  |
| <b>Cooling:</b>                   | Cooling by free air convection |
| <b>Ingress Protection Rating:</b> | IP67                           |
| <b>Impact Resistance Rating:</b>  | IK09                           |

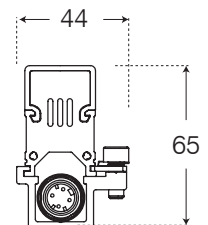
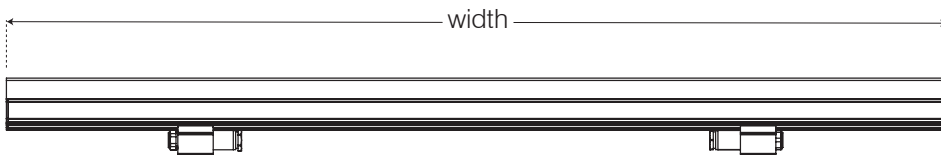
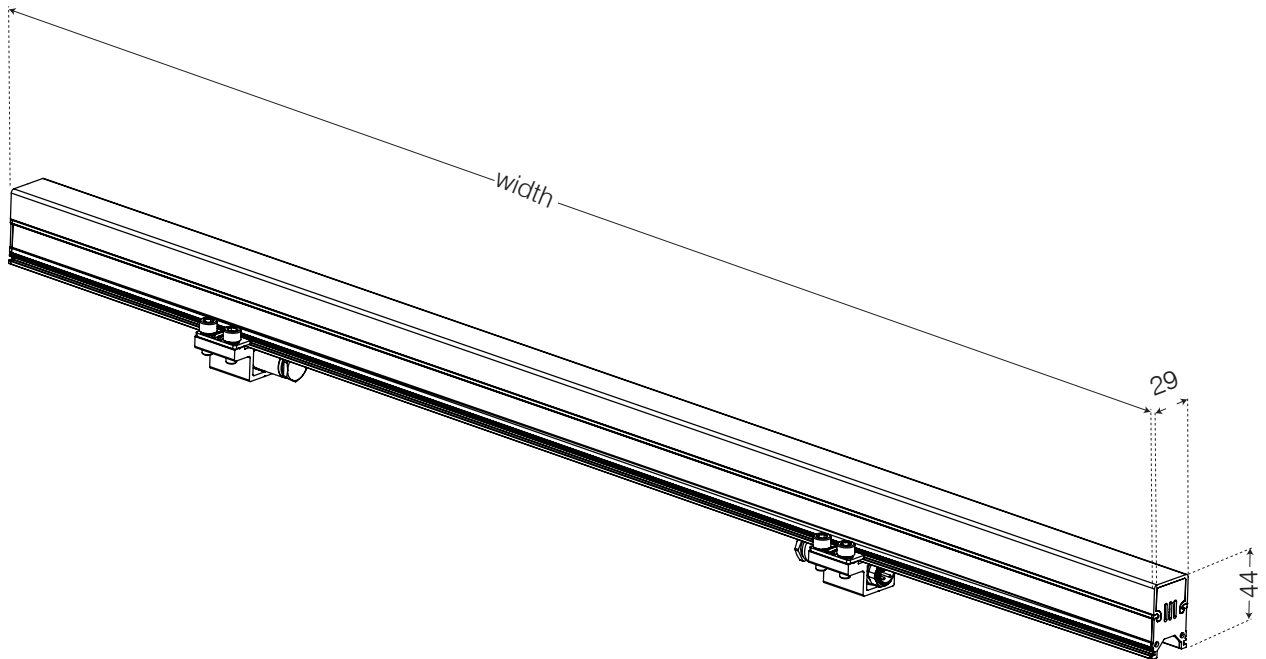
---

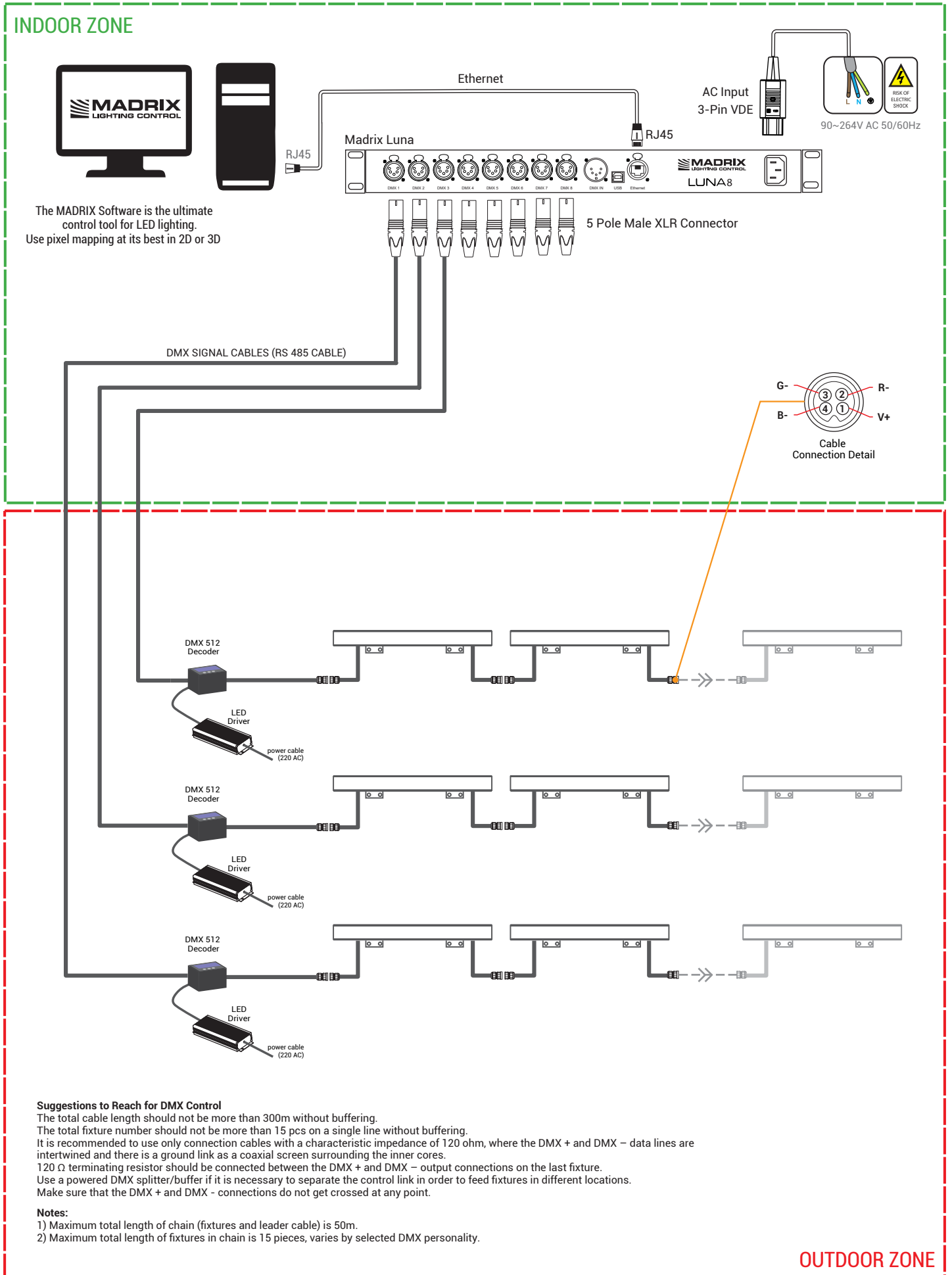
|                     |              |
|---------------------|--------------|
| <b>Certificate:</b> | EN 60598, CE |
|---------------------|--------------|

---

|                  |                         |
|------------------|-------------------------|
| <b>Warranty:</b> | 5-year Limited Warranty |
|------------------|-------------------------|

---

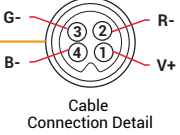




The MADRIX Software is the ultimate control tool for LED lighting. Use pixel mapping at its best in 2D or 3D



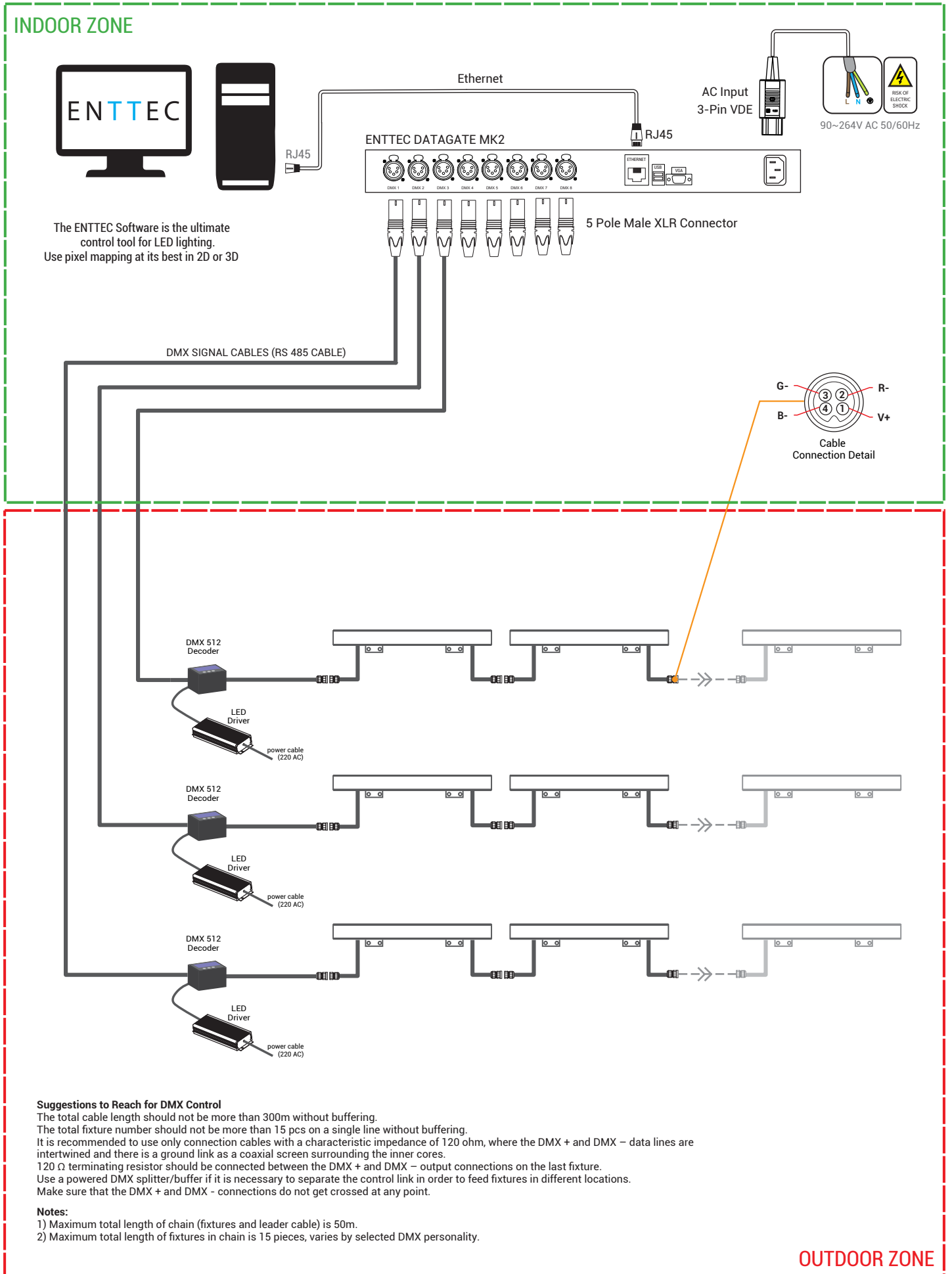
90~264V AC 50/60Hz



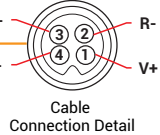
**Suggestions to Reach for DMX Control**  
 The total cable length should not be more than 300m without buffering.  
 The total fixture number should not be more than 15 pcs on a single line without buffering.  
 It is recommended to use only connection cables with a characteristic impedance of 120 ohm, where the DMX + and DMX - data lines are intertwined and there is a ground link as a coaxial screen surrounding the inner cores.  
 120 Ω terminating resistor should be connected between the DMX + and DMX - output connections on the last fixture.  
 Use a powered DMX splitter/buffer if it is necessary to separate the control link in order to feed fixtures in different locations.  
 Make sure that the DMX + and DMX - connections do not get crossed at any point.

- Notes:**
- 1) Maximum total length of chain (fixtures and leader cable) is 50m.
  - 2) Maximum total length of fixtures in chain is 15 pieces, varies by selected DMX personality.

OUTDOOR ZONE



The ENTTEC Software is the ultimate control tool for LED lighting. Use pixel mapping at its best in 2D or 3D



**Suggestions to Reach for DMX Control**  
 The total cable length should not be more than 300m without buffering.  
 The total fixture number should not be more than 15 pcs on a single line without buffering.  
 It is recommended to use only connection cables with a characteristic impedance of 120 ohm, where the DMX + and DMX - data lines are intertwined and there is a ground link as a coaxial screen surrounding the inner cores.  
 120 Ω terminating resistor should be connected between the DMX + and DMX - output connections on the last fixture.  
 Use a powered DMX splitter/buffer if it is necessary to separate the control link in order to feed fixtures in different locations.  
 Make sure that the DMX + and DMX - connections do not get crossed at any point.

- Notes:**
- 1) Maximum total length of chain (fixtures and leader cable) is 50m.
  - 2) Maximum total length of fixtures in chain is 15 pieces, varies by selected DMX personality.

OUTDOOR ZONE

**RDM EXPLANATION****BAYLINE FULL RGB**

complies with the RDM Monitoring Command System. In order to use RDM Monitoring System, a compatible controller is required depending on the installation.

Through DMX data connection, it is possible to control the fixture's settings, send commands and receive or monitor the fixture's data.

**DEVICE MANAGEMENT**

|                             | GET | SET |
|-----------------------------|-----|-----|
| Device Info                 | ✓   | ✓   |
| DMX Start Address           | ✓   | ✓   |
| Identify Device             | ✓   | ✓   |
| Device Model Description    | ✓   |     |
| Device Label                | ✓   | ✓   |
| Software Version Label      | ✓   |     |
| DMX Personality             | ✓   | ✓   |
| DMX Personality Description | ✓   |     |
| Device Power Cycles         | ✓   |     |
| Status ID Description       | ✓   |     |
| Supported Parameters        | ✓   |     |
| Parameter Description       | ✓   |     |

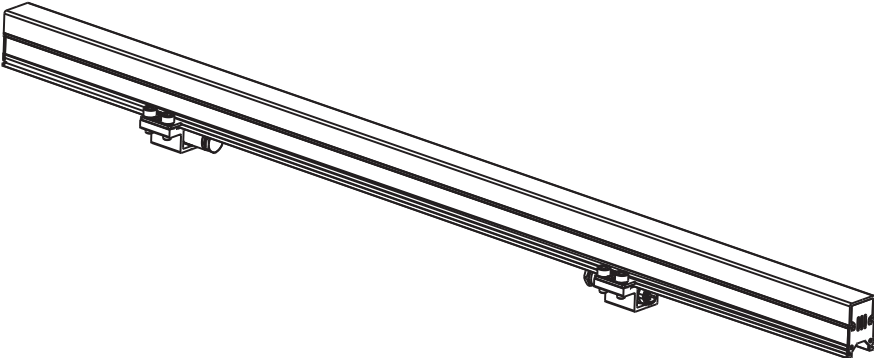
\* The command names and command functions used on different RDM controllers may vary.

\* Incompatible RDM controllers may cause drawbacks such as partial operation, no-operation, or incorrect fixture information.

\* You can check the recommended RDM controllers on the [www.bayled.eu](http://www.bayled.eu) website.

LOW POWER LED - RGB  
(Beam angle options: 180° with diffuser)

01-06-XX-X



Date \_\_\_\_\_  
Company \_\_\_\_\_  
Project \_\_\_\_\_



**BAYTAŞ AYDINLATMA LTD.ŞTİ.**

Sincan Sanayi Sitesi Ahi Evran Mahallesi  
255. Cadde No:84 06935 Sincan  
Ankara / TÜRKİYE

Tel: +90 (312) 395 76 35 - 45  
Faks: +90 (312) 395 73 65

[www.bayled.eu](http://www.bayled.eu)



*All rights reserved  
BAYLED may change products' specifications and  
informations in this document without notifying in advance.  
Bayled is a Baytaş Group Brand*

OUR BRANDS

