

## EXPLANATION

ASPEN RGB Series is a powerful and outdoor rated inground with high lumen output and excellent color consistency. ASPEN RGB are excellent solution for accent lighting, spot lighting, wall washing, façade lighting applications and widely used in illuminating historical places, monuments in parks and other areas.

ASPEN RGB Series is produced in 3 pcs colored LED. ASPEN RGB Series has a sturdy die cast aluminium body. It works at 5V DC to ensure connections over long distances. ASPEN RGB Series provides easy setup with standard DMX 512 without special or complex communication protocols.

- ASPEN RGB provides compatible communication with other fixtures using standard DMX 512 without requiring any other special communication protocol or production ID.
- ASPEN RGB ingrounds enable flexible application using very long starter and jumper cables, since they operate in 5V DC universal voltage range.
- ASPEN RGB Series work through Madrix® or Enttec software and hardware in coordination. Pixel mapping can be made easily by selecting fixtures in Madrix® or Enttec library.
- IP67 class ASPEN RGB, are designed to meet the challenging requirements of exterior applications with their robust and durable structure. It is resistant to shock, vibration and other harsh conditions through die cast aluminium body and 6mm tempered glass cover.
- Input and output is delivered through a cable and requires an extra junction box. This junction allows cable connection between distances. Jumper cables can be determined according to the desired length of cable.
- ASPEN RGB Series is produced in grey color as standard, and is also available in different colors in RAL code upon request.

<b>Output</b>	<b>RGB 6W</b>
<b>Light Source</b>	3 High Power Colored LEDs
<b>Lumen Maintenance</b>	60.000 > hours L70 @ 50° C (full output)
<b>Color Range</b>	16.7 Million additive RGB colors
<b>Ra(CRI)</b>	RGB Full on ≥70CRI
<b>Beam Angle</b>	12° - 30° - 45° - 60° - 90°
<b>Luminous Flux</b>	294 lm
<b>Efficacy (lm/W)</b>	49 lm/W

---

**Control & Programming**

<b>Color Resolution:</b>	3 x 8-bit (Gamma correction)
<b>Addressing:</b>	RDM (Group of Remote Addressable Systems)
<b>PWM Frequency:</b>	1000Hz flicker free dimming
<b>DMX / DALI Compliance:</b>	USITT DMX512-1990
<b>RDM Compliance:</b>	ANSI/ESTA E1.20-2010

---

**Electrical**

<b>Operating Voltage:</b>	5V DC
<b>Power Consumption:</b>	6W
<b>Connections:</b>	Wire and Connector

---

**Physical**

<b>Housing:</b>	Die cast
<b>Front Material:</b>	Tempered glass (6mm)
<b>Installation Brackets:</b>	Black color recess box made of plastic
<b>Gasket:</b>	Silicon
<b>Color:</b>	Grey (standard) or Custom Any RAL (optional)

---

**Measurements:**

<b>Dimensions:</b> (height x width x depth)	123 x 110 x 110 mm
<b>Net weight:</b>	0,75 kg

---

**Environmental**

<b>Storage Temperature:</b>	-40°C / +85°C
<b>Ambient Temperature:</b>	-25°C / +50°C
<b>Operating Temperature:</b>	-25°C / +65°C
<b>Cooling:</b>	Cooling by free air convection
<b>Ingress Protection Rating:</b>	IP67
<b>Impact Resistance Rating:</b>	IK09

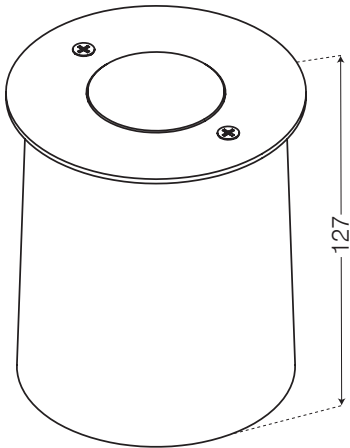
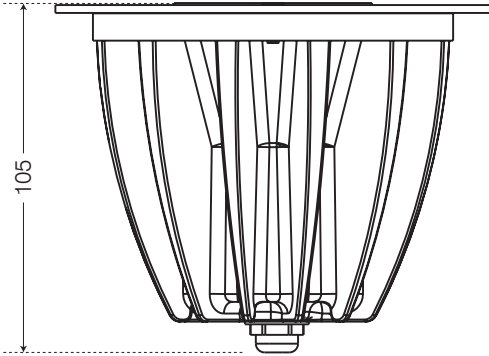
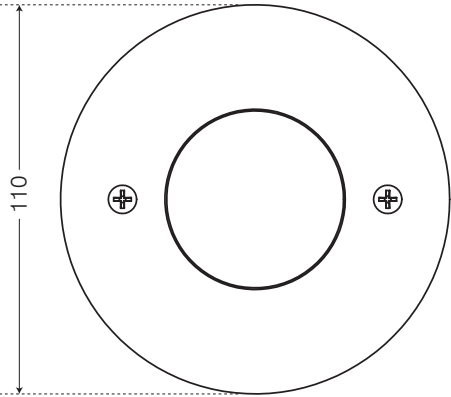
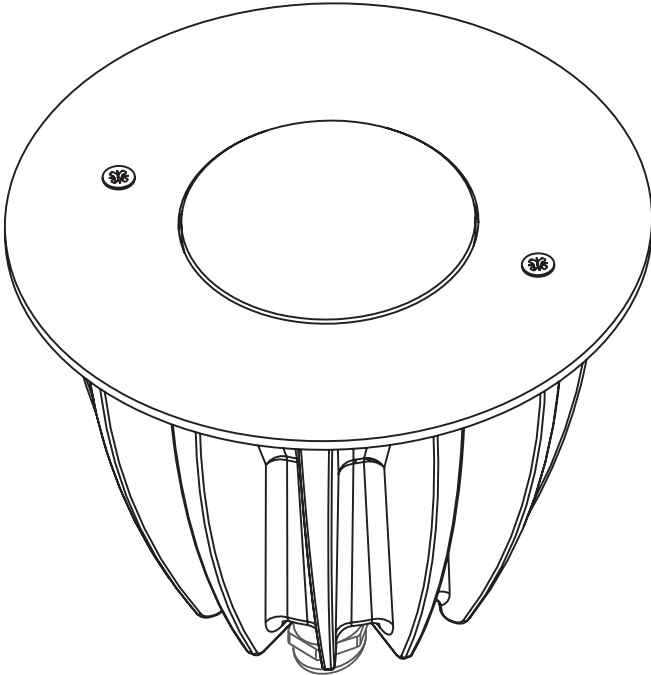
---

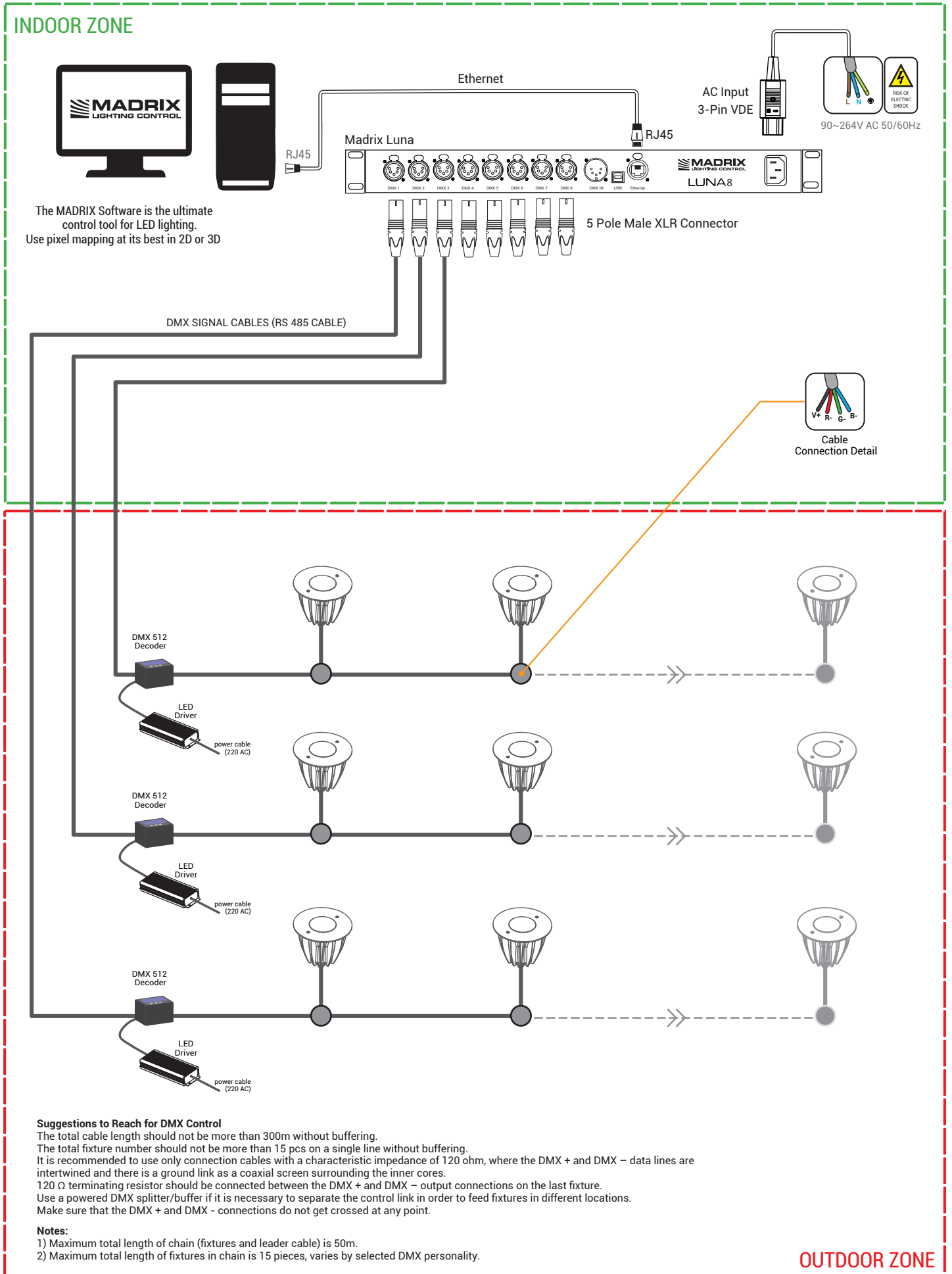
<b>Certificate:</b>	EN 60598, CE
---------------------	--------------

---

<b>Warranty:</b>	3-year Limited Warranty
------------------	-------------------------

---



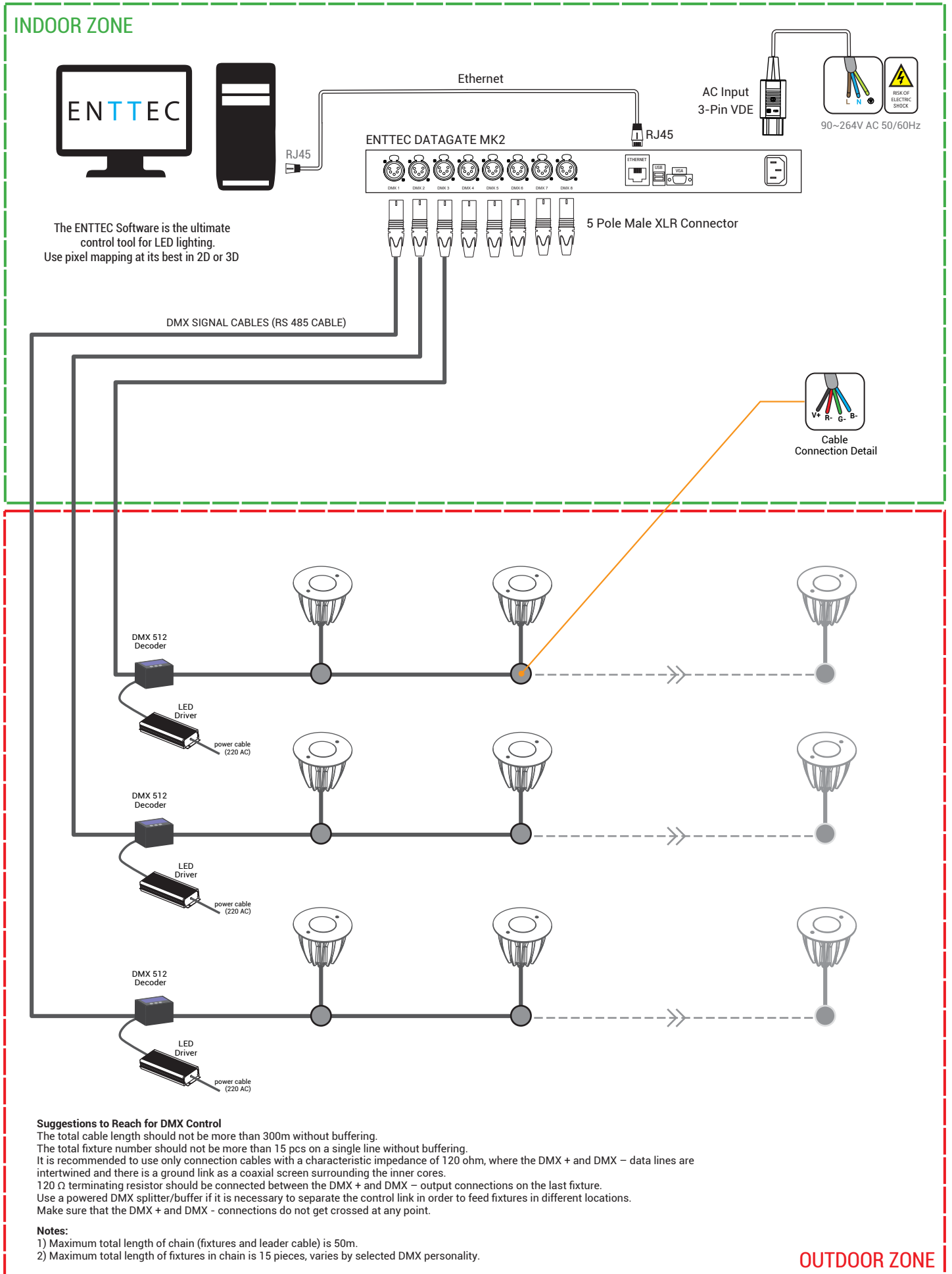


**Suggestions to Reach for DMX Control**

The total cable length should not be more than 300m without buffering.  
 The total fixture number should not be more than 15 pcs on a single line without buffering.  
 It is recommended to use only connection cables with a characteristic impedance of 120 ohm, where the DMX + and DMX - data lines are intertwined and there is a ground link as a coaxial screen surrounding the inner cores.  
 120 Ω terminating resistor should be connected between the DMX + and DMX - output connections on the last fixture.  
 Use a powered DMX splitter/buffer if it is necessary to separate the control link in order to feed fixtures in different locations.  
 Make sure that the DMX + and DMX - connections do not get crossed at any point.

- Notes:**
- 1) Maximum total length of chain (fixtures and leader cable) is 50m.
  - 2) Maximum total length of fixtures in chain is 15 pieces, varies by selected DMX personality.

OUTDOOR ZONE



**Suggestions to Reach for DMX Control**

The total cable length should not be more than 300m without buffering.  
 The total fixture number should not be more than 15 pcs on a single line without buffering.  
 It is recommended to use only connection cables with a characteristic impedance of 120 ohm, where the DMX + and DMX - data lines are intertwined and there is a ground link as a coaxial screen surrounding the inner cores.  
 120 Ω terminating resistor should be connected between the DMX + and DMX - output connections on the last fixture.  
 Use a powered DMX splitter/buffer if it is necessary to separate the control link in order to feed fixtures in different locations.  
 Make sure that the DMX + and DMX - connections do not get crossed at any point.

**Notes:**

- 1) Maximum total length of chain (fixtures and leader cable) is 50m.
- 2) Maximum total length of fixtures in chain is 15 pieces, varies by selected DMX personality.

**RDM EXPLANATION**

## ASPEN RGB

complies with the RDM Monitoring Command System. In order to use RDM Monitoring System, a compatible controller is required depending on the installation.

Through DMX data connection, it is possible to control the fixture's settings, send commands and receive or monitor the fixture's data.

**DEVICE MANAGEMENT**

	GET	SET
Device Info	√	√
DMX Start Address	√	√
Identify Device	√	√
Device Model Description	√	
Device Label	√	√
Software Version Label	√	
DMX Personality	√	√
DMX Personality Description	√	
Device Power Cycles	√	
Status ID Description	√	
Supported Parameters	√	
Parameter Description	√	

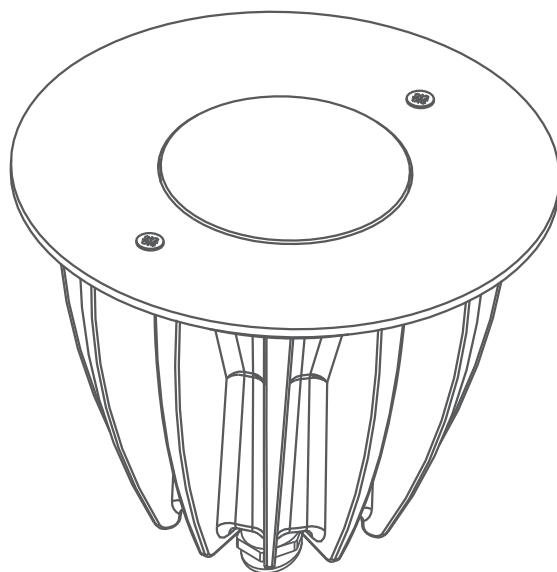
\* The command names and command functions used on different RDM controllers may vary.

\* Incompatible RDM controllers may cause drawbacks such as partial operation, no-operation, or incorrect fixture information.

\* You can check the recommended RDM controllers on the [www.bayled.eu](http://www.bayled.eu) website.

3 LED - HIGH POWER LED - RGB  
(Beam angle options: 8° - 25° - 40° - 60°)

15-01-03-08-XX-RGB



Date \_\_\_\_\_  
Company \_\_\_\_\_  
Project \_\_\_\_\_

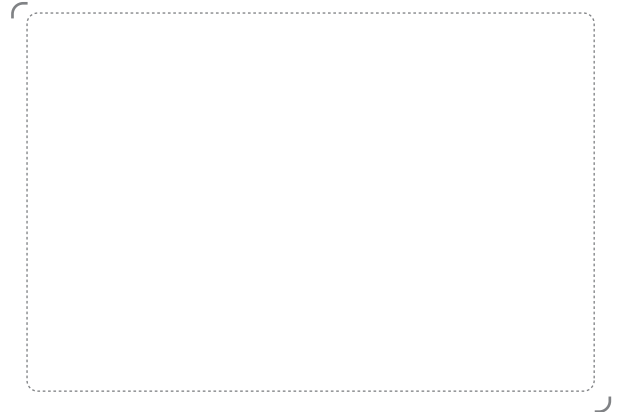


**BAYTAŞ AYDINLATMA LTD.ŞTİ.**

Sincan Sanayi Sitesi Ahi Evran Mahallesi  
255. Cadde No:84 06935 Sincan  
Ankara / TÜRKİYE

Tel: +90 (312) 395 76 35 - 45  
Faks: +90 (312) 395 73 65

[www.bayled.eu](http://www.bayled.eu)



*All rights reserved  
BAYLED may change products' specifications and  
informations in this document without notifying in advance.  
Bayled is a Baytaş Group Brand*

OUR BRANDS

