

TETRA PRV-2 RGB (MOVABLE)

110W



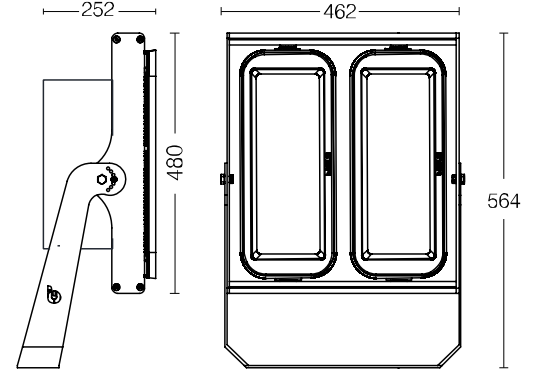
FLOODLIGHT

IP66

IK09



EN60598 CE



PRODUCT DATA

General Information

Number of light source	96 pcs
LED module	High Power LED's on alu-PCB
Light distribution	8°- 15°- 40°- 60°- 90°
Light source colour	RGB
Number of gear unit	1 unit
Driver / power unit	PS (Constant voltage)
Driver included	Yes
Optical cover / lens type	Multi lens
Control interface	DMX
Connection	-
Cable	3x1,5 mm ² (Power)+ 3x0,5 mm ² (DMX)
Protection class IEC	Safety class I
CE mark	CE mark
ENEC mark	-
Warranty period	5 years
Optic type	Symmetric
EU RoHS compliant	Yes
Light source engine type	LED
LDT / IES photometric file	N/A
Life span	Estimated average 50.000 hours
MacAdams	CCT tolerance within a 3 step MacAdams ellipse
Product code	45-21-110-96-XX-RGB (XX: Lens angle, X: Led colour)

Operating and Electrical

Input Voltage	85-264 V AC
Input frequency	50 to 60 Hz
Inrush current	500 mA
Power factor (min.)	0.92

Control and Dimming

Dimmable(optional)	-
DMX	DMX 512

Mechanical and Housing

Housing material	Aluminium die-cast
Gasket	Silicone
Optic material	PMMA
Optical cover / lens material	Glass (5mm)
Fixation material	Stainless steel
Mounting device	-
Effective projected area	0,26m ²
Colour	Grey
Dimensions (height x width x depth)	564 x 462 x 252 mm

Approval and Application

Ingress protection code	IP66
Mech. impact protection code	IK09
Surge protection (common/differential)	6 KV/4KV (optional)

Initial Performance (IEC Compliant)

Module luminous flux	6816 lm (RGB)
Luminaire luminous flux	6271 lm (RGB)
LED luminaire efficiency	57 lm (RGB)
Colour Temperature	RGB

Colour rendering index	≥70
Rated LED power	100W
Rated luminaire power	110W

Application Conditions

Ambient temperature range	-25°C to +55°C
Maximum dimming level	-
Net weight (piece)	15,8 kg

Fixture Run Length To calculate fixture run lengths and total power consumption for your specific installation, please ask to company assistant

BAYLED TEKNOLOJİ A.Ş.

Ahi Evran Mah. 225. Cad. No:84 06935, Sincan ANKARA / TURKEY
T: +90 312 395 76 35 | F: +90 312 395 73 65 | sales@bayled.com.tr

Bayled is a Baytaş group brand.

Scan the QR Code to go to the product web page.



We reserve the right to change specifications without prior written notice.

Current version under: www.bayled.eu