

# TETRA PRL-4 (MOVABLE) 300W



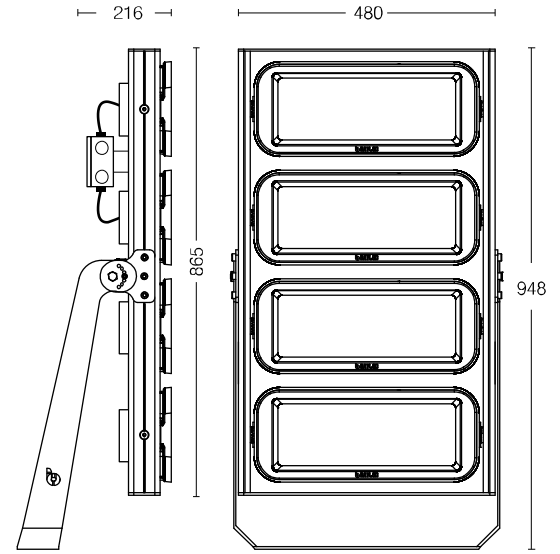
FLOODLIGHT

IP66

IK09



EN60598 CE



## PRODUCT DATA

### General Information

Number of light source	768 pcs
LED module	Mid Power LED's on alu-PCB
Light distribution	40° - 60° - 90° - 143°x 50°
Light source colour	3000K-4000K
Number of gear unit	1 unit
Driver / power unit	PS (Constant current)
Driver included	Yes
Optical cover / lens type	Multi lens
Control interface	On/Off
Connection	-
Cable	3x1,5 mm <sup>2</sup>
Protection class IEC	Safety class I
CE mark	CE mark
ENEC mark	-
Warranty period	5 years
Optic type	Symmetric - asymmetric
EU RoHS compliant	Yes
Light source engine type	LED
LDT / IES photometric file	Available
Life span	Estimated average 50.000 hours
MacAdams	CCT tolerance within a 3 step MacAdams ellipse
Product code	45-26-300-768-XX-X (XX: Lens angle, X: Led colour)

### Operating and Electrical

Input Voltage	100-305 V AC
Input frequency	50 to 60 Hz
Inrush current	1363 mA
Power factor (min.)	0.92

### Control and Dimming

Dimmable(optional)	1-10V - DALI
DMX	-

### Mechanical and Housing

Housing material	Aluminium die-cast
Gasket	Silicone
Optic material	PMMA
Optical cover / lens material	Glass (5mm)
Fixation material	Stainless steel
Mounting device	-
Effective projected area	0,46m <sup>2</sup>
Colour	Grey
Dimensions (height x width x depth)	948 x 480 x 216 mm

### Approval and Application

Ingress protection code	IP66
Mech. impact protection code	IK09
Surge protection (common/differential)	6 KV/4KV (10KV/6KV optional)

### Initial Performance (IEC Compliant)

Module luminous flux	53536 lm (4000K) - 52040 lm (3000K)
Luminaire luminous flux	48716 lm (4000K) - 47356 lm (3000K)
LED luminaire efficiency	162 lm (4000K) - 158 lm (3000K)
Colour Temperature	4000K-3000K
	6500K also available up on request.
Colour rendering index	≥70
Rated LED power	273W
Rated luminaire power	300W

### Application Conditions

Ambient temperature range	-25°C to +55°C
Maximum dimming level	-
Net weight (piece)	30,4 kg

**Fixture Run Length** To calculate fixture run lengths and total power consumption for your specific installation, please ask to company assistant

### BAYLED TEKNOLOJİ A.Ş.

Ahi Evran Mah. 225. Cad. No:84 06935, Sincan ANKARA / TURKEY  
T: +90 312 395 76 35 | F: +90 312 395 73 65 | sales@bayled.com.tr

Bayled is a Baytaş group brand.

Scan the QR Code to go to the product web page.



We reserve the right to change specifications without prior written notice.

Current version under: [www.bayled.eu](http://www.bayled.eu)