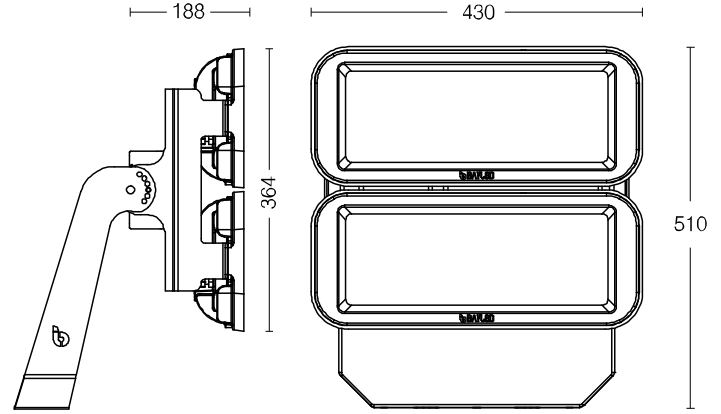


# TETRA PRL-2 (FIXED) 150W



FLOODLIGHT

IP66 IK09 EN60598 CE



## PRODUCT DATA

### General Information

|                            |  |
|----------------------------|--|
| Number of light source     | 384 pcs  |
| LED module                 | Mid Power LED's on alu-PCB                         |
| Light distribution         | 40°- 60°- 90°- 143°x 50°                           |
| Light source colour        | 3000K-4000K  |
| Number of gear unit        | 1 unit   |
| Driver / power unit        | PS (Constant current)                              |
| Driver included            | Yes  |
| Optical cover / lens type  | Multi lens   |
| Control interface          | On/Off   |
| Connection                 | -  |
| Cable                      | 3x1,5 mm <sup>2</sup>                              |
| Protection class IEC       | Safety class I                                     |
| CE mark                    | CE mark  |
| ENEC mark                  | -  |
| Warranty period            | 5 years  |
| Optic type                 | Symmetric - asymmetric                             |
| EU RoHS compliant          | Yes  |
| Light source engine type   | LED  |
| LDT / IES photometric file | Available  |
| Life span                  | Estimated average 50.000 hours                     |
| MacAdams                   | CCT tolerance within a 3 step MacAdams ellipse     |
| Product code               | 45-11-150-384-XX-X (XX: Lens angle, X: Led colour) |

### Operating and Electrical

|                     |              |
|---------------------|--------------|
| Input Voltage       | 100-305 V AC |
| Input frequency     | 50 to 60 Hz  |
| Inrush current      | 682 mA       |
| Power factor (min.) | 0.92         |

### Control and Dimming

|                    |              |
|--------------------|--------------|
| Dimmable(optional) | 1-10V - DALI |
| DMX                | -            |

### Mechanical and Housing

|                                     |                    |
|-------------------------------------|--------------------|
| Housing material                    | Aluminium die-cast |
| Gasket                              | Silicone           |
| Optic material                      | PMMA               |
| Optical cover / lens material       | Glass (5mm)        |
| Fixation material                   | Stainless steel    |
| Mounting device                     | -                  |
| Effective projected area            | 0,27m <sup>2</sup> |
| Colour                              | Grey               |
| Dimensions (height x width x depth) | 570 x 480 x 210 mm |

### Approval and Application

|  |                              |
|--|------------------------------|
| Ingress protection code                | IP66                         |
| Mech. impact protection code           | IK09                         |
| Surge protection (common/differential) | 6 KV/4KV (10KV/6KV optional) |

### Initial Performance (IEC Compliant)

|                          |                                     |
|--------------------------|-------------------------------------|
| Module luminous flux     | 26768 lm (4000K) - 26020 lm (3000K) |
| Luminaire luminous flux  | 24358 lm (4000K) - 23678 lm (3000K) |
| LED luminaire efficiency | 162 lm (4000K) - 159 lm (3000K)     |
| Colour Temperature       | 4000K-3000K                         |
|                          | 6500K also available up on request. |
| Colour rendering index   | ≥70                                 |
| Rated LED power          | 136W                                |
| Rated luminaire power    | 150W                                |

### Application Conditions

|                           |                |
|---------------------------|----------------|
| Ambient temperature range | -25°C to +55°C |
| Maximum dimming level     | -              |
| Net weight (piece)        | 15,5 kg        |

### Fixture Run Length

To calculate fixture run lengths and total power consumption for your specific installation, please ask to company assistant

#### BAYLED TEKNOLOJİ A.Ş.

Ahi Evran Mah. 225. Cad. No:84 06935, Sincan ANKARA / TURKEY  
T: +90 312 395 76 35 | F: +90 312 395 73 65 | sales@bayled.com.tr

Bayled is a Baytaş group brand.

Scan the QR Code to go to the product web page.



We reserve the right to change specifications without prior written notice.

Current version under: [www.bayled.eu](http://www.bayled.eu)