

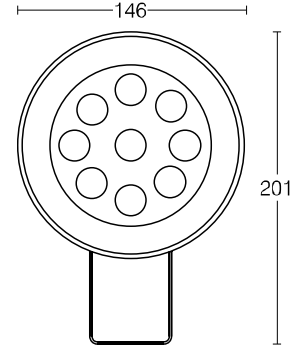
ORCA 9 RGBW 9W



UNDERWATER

IP68  EN60598 


RGBW(A)



PRODUCT DATA

General Information

Number of light source	9 pcs
LED module	High Power LED's on alu-PCB
Light distribution	30° - 50°
Light source colour	RGBW
Number of gear unit	1 unit
Driver / power unit	PS (Constant voltage)
Driver included	No
Optical cover / lens type	Multi lens
Control interface	DMX
Connection	-
Cable	5x0,50 mm ²
Protection class IEC	Safety class II
CE mark	CE mark
ENEC mark	-
Warranty period	3 years
Optic type	Symmetric
EU RoHS compliant	Yes
Light source engine type	LED
LDT / IES photometric file	Available
Life span	Estimated average 50.000 hours
MacAdams	CCT tolerance within a 3 step MacAdams ellipse
Product code	30-02-24-9-XX-RGBW (XX: Lens angle, X: Led colour)

Operating and Electrical

Input Voltage	12V DC
Input frequency	-
Inrush current	350 mA
Power factor (min.)	0.92

Control and Dimming

Dimmable(optional)	-
DMX	DMX512

Mechanical and Housing

Housing material	Stainless steel
Gasket	Silicone
Optic material	PMMA
Optical cover / lens material	PMMA
Fixation material	Stainless steel mounting bracket
Mounting device	-
Effective projected area	0,03m ²
Colour	Grey
Dimensions (height x width x depth)	201 x 146 x 70 mm

Approval and Application

Ingress protection code	IP68
Mech. impact protection code	-
Surge protection (common/differential)	-

Initial Performance (IEC Compliant)

Module luminous flux	826 lm (RGBW)
Luminaire luminous flux	760 lm (RGBW)
LED luminaire efficiency	85 lm (RGBW)
Colour Temperature	RGBW
Colour rendering index	>80
Rated LED power	8W
Rated luminaire power	9W

Application Conditions

Ambient temperature range	-25°C to +55°C
Maximum dimming level	-
Net weight (piece)	0,57 kg

Fixture Run Length To calculate fixture run lengths and total power consumption for your specific installation, please ask to company assistant

BAYLED TEKNOLOJİ A.Ş.

Ahi Evran Mah. 225. Cad. No:84 06935, Sincan ANKARA / TURKEY
T: +90 312 395 76 35 | F: +90 312 395 73 65 | sales@bayled.com.tr

Bayled is a Baytaş group brand.

Scan the QR Code to go to the product web page.



We reserve the right to change specifications without prior written notice.

Current version under: www.bayled.eu