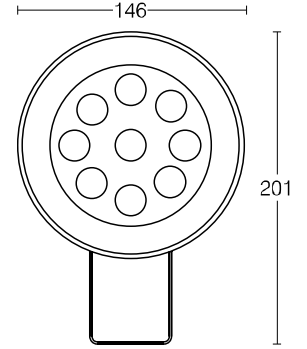


UNDERWATER

IP68 EN60598 CE



PRODUCT DATA

General Information

Number of light source	9 pcs
LED module	Mid Power LED's on alu-PCB
Light distribution	30° - 50°
Light source colour	RGB
Number of gear unit	1 unit
Driver / power unit	PS (Constant voltage)
Driver included	No
Optical cover / lens type	Multi lens
Control interface	DMX
Connection	-
Cable	4x0,50 mm ²
Protection class IEC	Safety class II
CE mark	CE mark
ENEC mark	-
Warranty period	3 years
Optic type	Symmetric
EU RoHS compliant	Yes
Light source engine type	LED
LDT / IES photometric file	Available
Life span	Estimated average 50.000 hours
MacAdams	CCT tolerance within a 3 step MacAdams ellipse
Product code	30-02-24-9-XX-RGB (XX: Lens angle, X: Led colour)

Operating and Electrical

Input Voltage	12V DC
Input frequency	-
Inrush current	350 mA
Power factor (min.)	0.92

Control and Dimming

Dimmable(optional)	-
DMX	DMX512

Mechanical and Housing

Housing material	Stainless steel
Gasket	Silicone
Optic material	PMMA
Optical cover / lens material	PMMA
Fixation material	Stainless steel mounting bracket
Mounting device	-
Effective projected area	0,03m ²
Colour	Grey
Dimensions (height x width x depth)	201 x 146 x 70 mm

Approval and Application

Ingress protection code	IP68
Mech. impact protection code	-
Surge protection (common/differential)	-

Initial Performance (IEC Compliant)

Module luminous flux	639 lm (RGB)
Luminaire luminous flux	588 lm (RGB)
LED luminaire efficiency	65 lm (RGB)
Colour Temperature	RGB
Colour rendering index	>80
Rated LED power	8W
Rated luminaire power	9W

Application Conditions

Ambient temperature range	-25°C to +55°C
Maximum dimming level	-
Net weight (piece)	0,57 kg

Fixture Run Length To calculate fixture run lengths and total power consumption for your specific installation, please ask to company assistant

