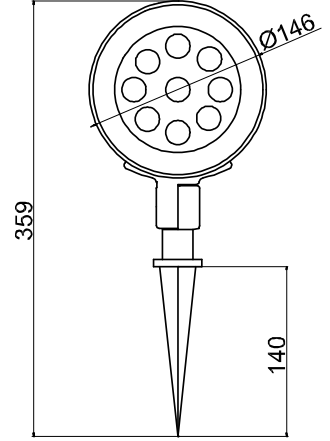


NERO RGBW 12W



SURFACE MOUNT LUMINAIRES

IP66 EN60598 CE



PRODUCT DATA

General Information

Number of light source	9 pcs
LED module	High Power LED's on alu-PCB
Light distribution	30° - 50° - 35°x70°
Light source colour	RGBW
Number of gear unit	1 unit
Driver / power unit	PS (Constant voltage)
Driver included	Yes
Optical cover / lens type	Multi lens
Control interface	DMX
Connection	-
Cable	5x0,75 mm ²
Protection class IEC	Safety class I
CE mark	CE mark
ENEC mark	-
Warranty period	3 years
Optic type	Symmetric - Asymmetric
EU RoHS compliant	Yes
Light source engine type	LED
LDT / IES photometric file	N/A
Life span	Estimated average 50.000 hours
MacAdams	CCT tolerance within a 3 step MacAdams ellipse
Product code	20-02-12-9-XX-H-RGBW-DMX (XX: Lens angle, X: Led colour)

Operating and Electrical

Input Voltage	12 V DC
Input frequency	-
Inrush current	350 mA x each channel
Power factor (min.)	0.92

Control and Dimming

Dimmable(optional)	-
DMX	DMX512

Mechanical and Housing

Housing material	Aluminium die-cast
Gasket	Silicone
Optic material	PMMA
Optical cover / lens material	PMMA
Fixation material	stainless steel and plastic mounting bracket
Mounting device	-
Effective projected area	0,05m ²
Colour	Grey
Dimensions (height x width x depth)	350 x 146 x 146 mm

Approval and Application

Ingress protection code	IP66
Mech. impact protection code	-
Surge protection (common/differential)	-

Initial Performance (IEC Compliant)

Module luminous flux	739 lm (RGBW)
Luminaire luminous flux	672 lm (RGBW)
LED luminaire efficiency	56 lm (RGBW)
Colour Temperature	RGBW
Colour rendering index	>80
Rated LED power	11W
Rated luminaire power	12W

Application Conditions

Ambient temperature range	-25°C to +55°C
Maximum dimming level	-
Net weight (piece)	1,25 kg

Fixture Run Length

To calculate fixture run lengths and total power consumption for your specific installation, please ask to company assistant

BAYLED TEKNOLOJİ A.Ş.

Ahi Evran Mah. 225. Cad. No:84 06935, Sincan ANKARA / TURKEY
T: +90 312 395 76 35 | F: +90 312 395 73 65 | sales@bayled.com.tr

Bayled is a Baytaş group brand.

Scan the QR Code to go to the product web page.



We reserve the right to change specifications without prior written notice.
Current version under: www.bayled.eu