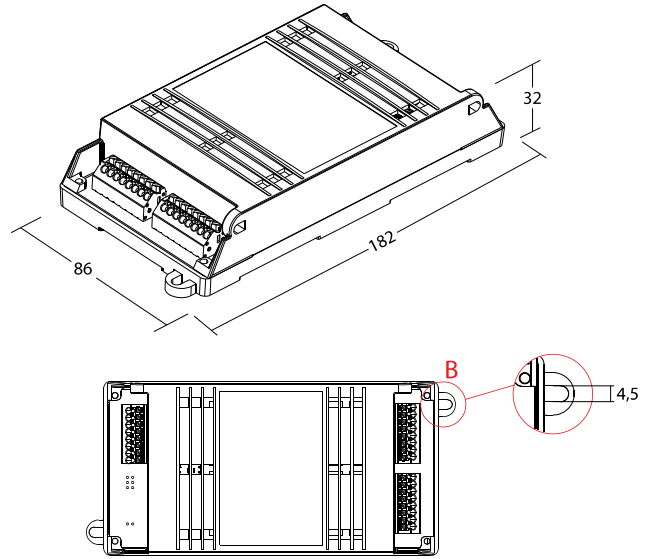
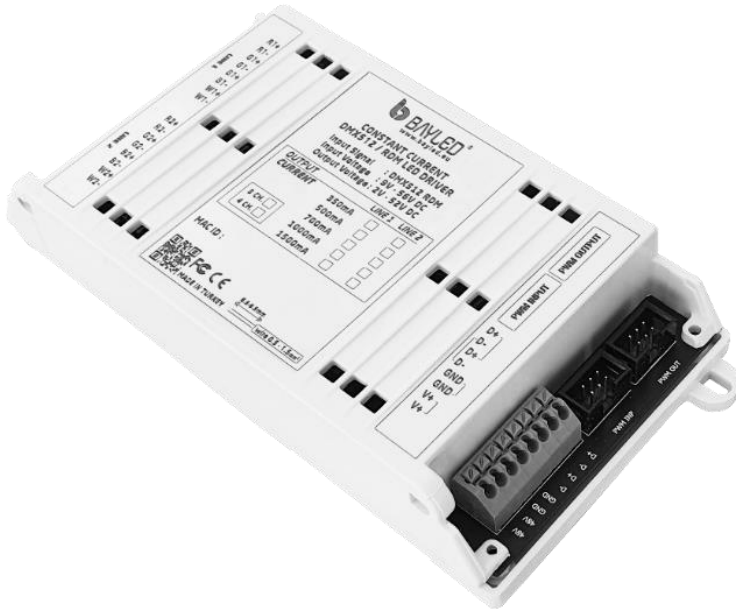


DMX512/RDM DECODER 4CH700



CONTROLLER

IP20 EN60598 CE



PRODUCT DATA

Input

| | |
|-------------------|-----------|
| Voltage range | 9 - 56VDC |
| Input current sum | 2884mA |

Output

| | |
|------------------------|----------------------------------|
| Voltage range | 2 - 52VDC |
| Efficiency (max) | 97% at full load and 36VDC/48VDC |
| Output channel | 4 channel |
| Output current per ch. | 700mA |
| Output current sum | 2800mA |

General Information

| | |
|----------------------|----------------|
| Control interface | DMX512/RDM |
| Protection class IEC | Safety class I |
| CE mark | CE mark |
| Warranty period | 5 years |
| EU RoHS compliant | Yes |

Mechanical and Housing

| | |
|-------------------------------------|---------------------|
| Housing material | Polycarbonate |
| Effective projected area | 0,016m ² |
| Colour | White |
| Dimensions (height x width x depth) | 86 x 182 x 32 mm |

Application Conditions

| | |
|---------------------------|----------------|
| Ambient temperature range | -30°C to +85°C |
| Maximum dimming level | - |
| Net weight (piece) | 0,27 kg |



BAYLED TEKNOLOJİ A.Ş.

Ahi Evran Mah. 225. Cad. No:84 06935, Sincan ANKARA / TURKEY
T: +90 312 395 76 35 | F: +90 312 395 73 65 | sales@bayled.com.tr

Bayled is a Baytaş group brand.

Scan the QR Code to go to the product web page.



We reserve the right to change specifications without prior written notice.

Current version under: www.bayled.eu