

# DMX512/RDM DECODER 4CH350

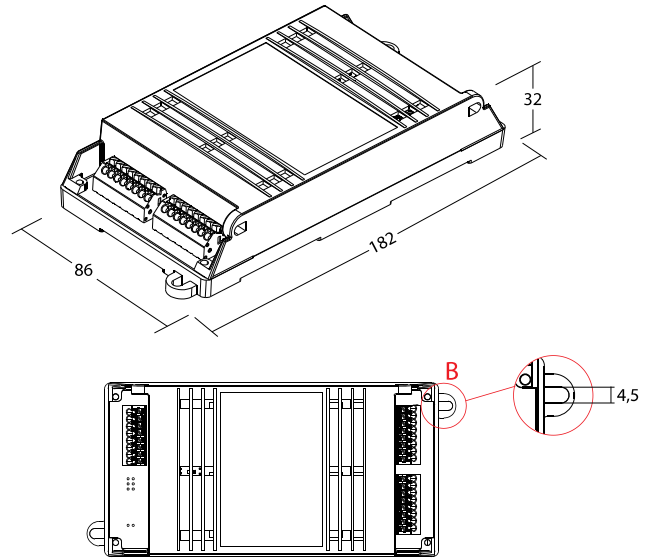
CONTROLLER

IP20  EN60598 



## PRODUCT DATA

Input	
Voltage range	9 - 56VDC
Input current sum	1442mA
Output	
Voltage range	2 - 52VDC
Efficiency (max)	97% at full load and 36VDC/48VDC
Output channel	4 channel
Output current per ch.	350mA
Output current sum	1400mA
General Information	
Control interface	DMX512/RDM
Protection class IEC	Safety class I
CE mark	CE mark
Warranty period	5 years
EU RoHS compliant	Yes



Mechanical and Housing	
Housing material	Polycarbonate
Effective projected area	0,016m <sup>2</sup>
Colour	White
Dimensions (height x width x depth)	86 x 182 x 32 mm

Application Conditions	
Ambient temperature range	-30°C to +85°C
Maximum dimming level	-
Net weight (piece)	0,27 kg

