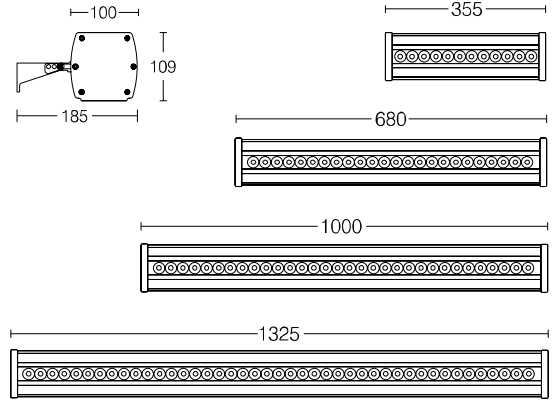


# VEGA RGBW 130 48W



WALLWASHER

IP66 IK08 EN60598 CE



## PRODUCT DATA

### General Information

Number of light source	48 pcs
LED module	High Power LED's on alu-PCB
Light distribution	8° - 25° - 45° - 60° - 10°x45°
Light source colour	RGBW
Number of gear unit	1 unit
Driver / power unit	PS (Constant current)
Driver included	Yes
Optical cover / lens type	Single lens
Control interface	DMX
Connection	-
Cable	3x1,5 mm <sup>2</sup> (Power) + 3x0,5 mm <sup>2</sup> (DMX)
Protection class IEC	Safety class I
CE mark	CE mark
ENEC mark	-
Warranty period	5 years
Optic type	Symmetric - asymmetric
EU RoHS compliant	Yes
Light source engine type	LED
LDT / IES photometric file	N/A
Life span	Estimated average 50.000 hours
MacAdams	CCT tolerance within a 3 step MacAdams ellipse
Product code	01-02-130-48-XX-RGBW(A) (XX: Lens angle, X: Led colour)

### Operating and Electrical

Input Voltage	198-264 V AC
Input frequency	50 to 60 Hz
Inrush current	218 mA
Power factor (min.)	0.92

### Control and Dimming

Dimmable	-
DMX	DMX512

### Mechanical and Housing

Housing material	Aluminium extrusion
Gasket	Silicone
Optic material	PMMA
Optical cover / lens material	Glass (5mm)
Fixation material	Aluminium and plastic mounting bracket
Mounting device	-
Effective projected area	0,14m <sup>2</sup>
Colour	Grey
Dimensions (height x width x depth)	109 x 1325 x 185 mm

### Approval and Application

Ingress protection code	IP66
Mech. impact protection code	IK08
Surge protection (common/differential)	2 KV/1KV

### Initial Performance (IEC Compliant)

Module luminous flux	4560 lm (RGBW)
Luminaire luminous flux	4195 lm (RGBW)
LED luminaire efficiency	87 lm (RGBW)
Colour Temperature	RGBW

Colour rendering index	>70
Rated LED power	44W
Rated luminaire power	48W

### Application Conditions

Ambient temperature range	-25°C to +55°C
Maximum dimming level	-
Net weight (piece)	6,3 kg

**Fixture Run Length** To calculate fixture run lengths and total power consumption for your specific installation, please ask to company assistant

#### BAYLED TEKNOLOJİ A.Ş.

Ahi Evran Mah. 225. Cad. No:84 06935, Sincan ANKARA / TURKEY  
T: +90 312 395 76 35 | F: +90 312 395 73 65 | sales@bayled.com.tr

Bayled is a Baytaş group brand.

Scan the QR Code to go to the product web page.



We reserve the right to change specifications without prior written notice.  
Current version under: [www.bayled.eu](http://www.bayled.eu)