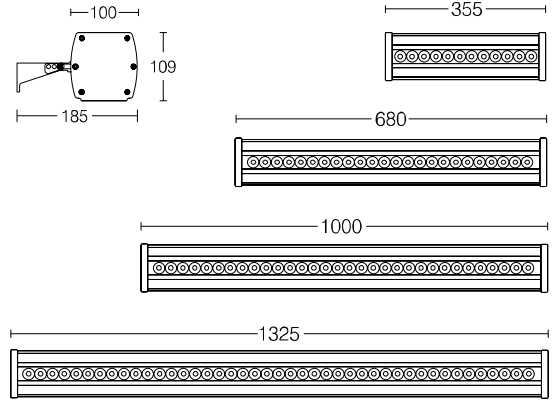


VEGA RGBW 100 72W



WALLWASHER

IP66 IK08 EN60598 CE



PRODUCT DATA

General Information

Number of light source	36 pcs
LED module	High Power LED's on alu-PCB
Light distribution	8° - 25° - 45° - 60° - 10°x45°
Light source colour	RGBW
Number of gear unit	1 unit
Driver / power unit	PS (Constant current)
Driver included	Yes
Optical cover / lens type	Single lens
Control interface	DMX
Connection	-
Cable	3x1,5 mm ² (Power) + 3x0,5 mm ² (DMX)
Protection class IEC	Safety class I
CE mark	CE mark
ENEC mark	-
Warranty period	5 years
Optic type	Symmetric - asymmetric
EU RoHS compliant	Yes
Light source engine type	LED
LDT / IES photometric file	N/A
Life span	Estimated average 50.000 hours
MacAdams	CCT tolerance within a 3 step MacAdams ellipse
Product code	01-02-100-72-XX-RGBW(A) (XX: Lens angle, X: Led colour)

Operating and Electrical

Input Voltage	198-264 V AC
Input frequency	50 to 60 Hz
Inrush current	327 mA
Power factor (min.)	0.92

Control and Dimming

Dimmable	-
DMX	DMX512

Mechanical and Housing

Housing material	Aluminium extrusion
Gasket	Silicone
Optic material	PMMA
Optical cover / lens material	Glass (5mm)
Fixation material	Aluminium and plastic mounting bracket
Mounting device	-
Effective projected area	0,11m ²
Colour	Grey
Dimensions (height x width x depth)	109 x 1000 x 185 mm

Approval and Application

Ingress protection code	IP66
Mech. impact protection code	IK08
Surge protection (common/differential)	2 KV/1KV

Initial Performance (IEC Compliant)

Module luminous flux	4545 lm (RGBW)
Luminaire luminous flux	4181 lm (RGBW)
LED luminaire efficiency	58 lm (RGBW)
Colour Temperature	RGBW

Colour rendering index	>70
Rated LED power	66W
Rated luminaire power	72W

Application Conditions

Ambient temperature range	-25°C to +55°C
Maximum dimming level	-
Net weight (piece)	4,84 kg

Fixture Run Length To calculate fixture run lengths and total power consumption for your specific installation, please ask to company assistant

BAYLED TEKNOLOJİ A.Ş.

Ahi Evran Mah. 225. Cad. No:84 06935, Sincan ANKARA / TURKEY
T: +90 312 395 76 35 | F: +90 312 395 73 65 | sales@bayled.com.tr

Bayled is a Baytaş group brand.

Scan the QR Code to go to the product web page.



We reserve the right to change specifications without prior written notice.
Current version under: www.bayled.eu