

EXEGI WALL TUNABLE 47W



WALLWASHER

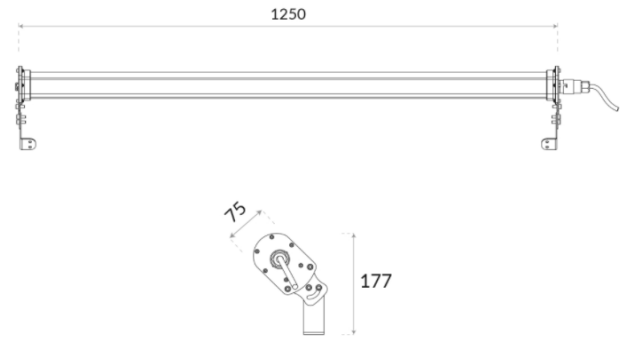
IP66

IK10



EN60598 CE

TUNABLE



PRODUCT DATA

General Information

Number of light source	128 pcs
LED module	Mid Power LED's on alu-PCB
Light distribution	120°(without lens)
Light source colour	Between 2700K-6500K
Number of gear unit	1 unit
Driver / power unit	PS (Constant current)
Driver included	Yes
Optical cover / lens type	Diffuser
Control interface	DALI (DT8)
Connection	-
Cable	3x0,75 mm2(Power)+2x0,5mm2(DALI)
Protection class IEC	Safety class I
CE mark	CE mark
ENEC mark	-
Warranty period	5 years
Optic type	Symmetric
EU RoHS compliant	Yes
Light source engine type	LED
LDT / IES photometric file	Available
Life span	Estimated average 50.000 hours
MacAdams	CCT tolerance within a 3 step MacAdams ellipse
Product code	90-01-125-47-128-0-TW (XX: Lens angle, X: Led colour)

Operating and Electrical

Input Voltage	198-264 V AC
Input frequency	50 to 60 Hz
Inrush current	214 mA
Power factor (min.)	0.92

Control and Dimming

Dimmable(optional)	-
DMX	-

Mechanical and Housing

Housing material	Plastic
Gasket	Silicone
Optic material	-
Optical cover / lens material	Diffuser
Fixation material	Plastic and stainless steel mounting bracket
Mounting device	-
Effective projected area	0,13m ²
Colour	Grey
Dimensions (height x width x depth)	107 x 1250 x 75 mm

Approval and Application

Ingress protection code	IP66
Mech. impact protection code	IK10
Surge protection (common/differential)	2 KV/1KV

Initial Performance (IEC Compliant)

Module luminous flux	6909 lm (2700K- 6500K)
Luminaire luminous flux	6218 lm (2700K- 6500K)
LED luminaire efficiency	147 lm (2700K- 6500K)
Colour Temperature	Between 2700K- 6500K
Colour rendering index	>70
Rated LED power	43W
Rated luminaire power	47W

Application Conditions

Ambient temperature range	-25°C to +55°C
Maximum dimming level	-
Net weight (piece)	2,68 kg

Fixture Run Length

To calculate fixture run lengths and total power consumption for your specific installation, please ask to company assistant

BAYLED TEKNOLOJİ A.Ş.

Ahi Evran Mah. 225. Cad. No:84 06935, Sincan ANKARA / TURKEY
T: +90 312 395 76 35 | F: +90 312 395 73 65 | sales@bayled.com.tr

Bayled is a Baytaş group brand.

Scan the QR Code to go to the product web page.



We reserve the right to change specifications without prior written notice.

Current version under: www.bayled.eu