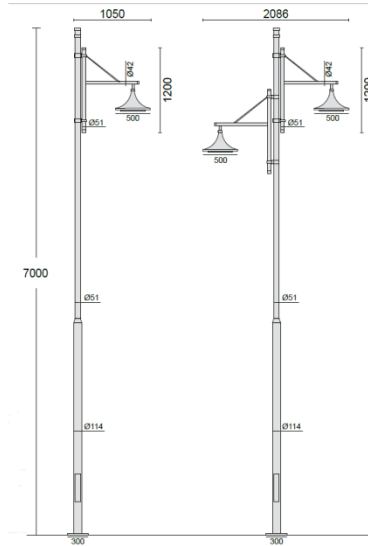




Single Head



APPLICATION

LED high-performance urban lights with Wide & Asymmetric Beam light distribution

PRODUCT DESCRIPTION

Urban Light made of aluminium die cast,
 Body pole steel with electro galvanized
 Clear 5mm safety glass
 Silicon rubber gasket
 Mounting detail anchor system
 Mounting bracket made of steel
 Colour standard MT-X6-23
 All RAL Codes or
 Special architectural paints
 Lens angle 40°- 60°- 90°
 LED power supply unit
 Input 100 – 305V AC 50 / 60 Hz
 Power factor > 90% full load
 6kV surge protection
 DALI controllable (optional)
 0-10V / 1-10V controllable (optional)
 Safety class I
 Protection class IP66
 Impact strenght IK08
 Operation temperature -25°C / +55°C
 EULUMDAT files available
 Complies with European standards
 EN 60598 and CE certificate.
 CE -- Conformity mark.

LAMPS

Module connected wattage 120W
 Luminaire connected wattage 150W
 Ambient temperature t^a max = 35 °C

NW

Module designation 15S163184NC-108
 Colour temperature 4000K
 Colour rendering index $R^a > 80$
 Module luminous flux 17400 lm
 Luminaire luminous flux 14760 lm
 Luminaire luminous efficiency 123 lm / W

WW

Module designation 15S163184NC-108
 Colour temperature 3000K
 Colour rendering index $R^a > 80$
 Module luminous flux 16800 lm
 Luminaire luminous flux 14040 lm
 Luminaire luminous efficiency 117 lm / W

Standard colour temperature 4000K
Also available with 3000K on request.